

Quarter-turn locks small version

Item description/product images



Description

Material:

Housing and actuator die-cast zinc.

Version:

Housing and actuator chrome-plated.

Wing-handle version powder-coated.

Note:

Small quarter turn lock with spring-loaded tongue. Right or left deployment. The lock can be installed pre-assembled. The fastening nut is an earthing nut with teeth one side.

Please order the desired tongue type separately. Every tongue can be combined with every housing.

Drawing reference:

Actuation:

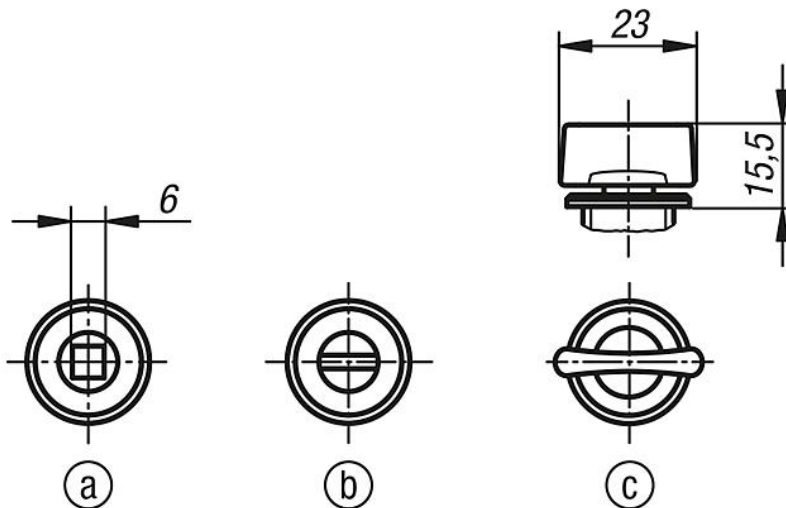
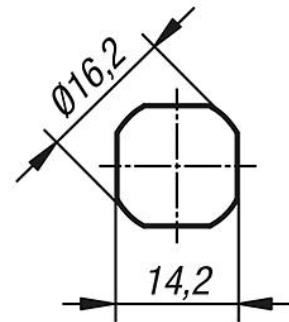
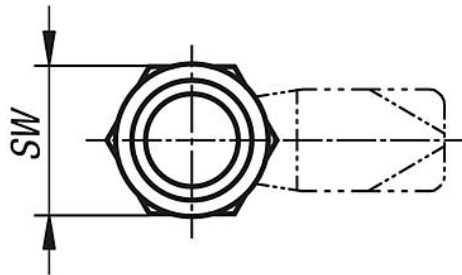
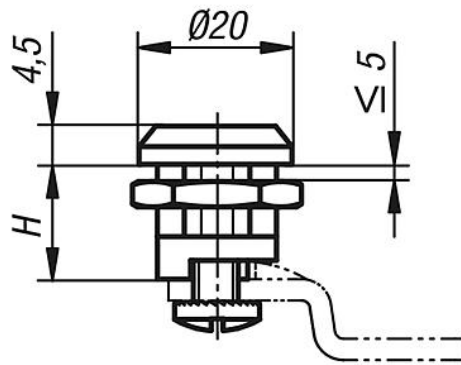
a) square 6 mm

b) slot

c) wing grip

Quarter-turn locks small version

Drawings



Overview of items

Order No.	Actuation	H	SW
K0518.16131	square 6 mm	13,5	20
K0518.20131	slot	13,5	20
K0518.30132	grip	13,5	20

