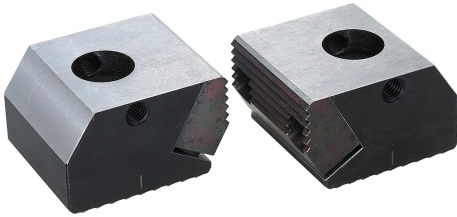


Stop with positive down force

Item description/product images



Description

Material:

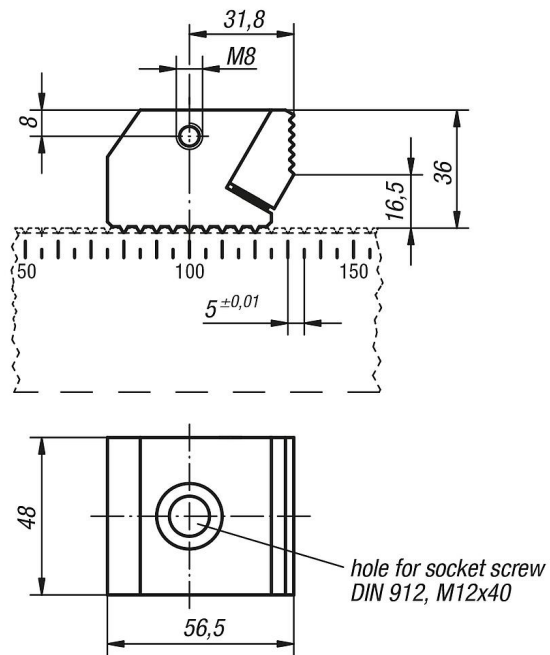
Stop and jaw carbon steel 1.0503

Version:

Stop and jaw tempered to 1200-1400 N/mm², black oxidised.

Serrations ground, bright.

Drawings



Overview of items

Stop with positive down force

Order No.	Dimensions
K0907.5001273	see drawing