

# Dipstick Form B, without vent hole

## Item description/product images



### Description

#### Material:

Grip thermoplastic polyamide.  
Dipstick steel.  
O-ring NBR, Shore 70.

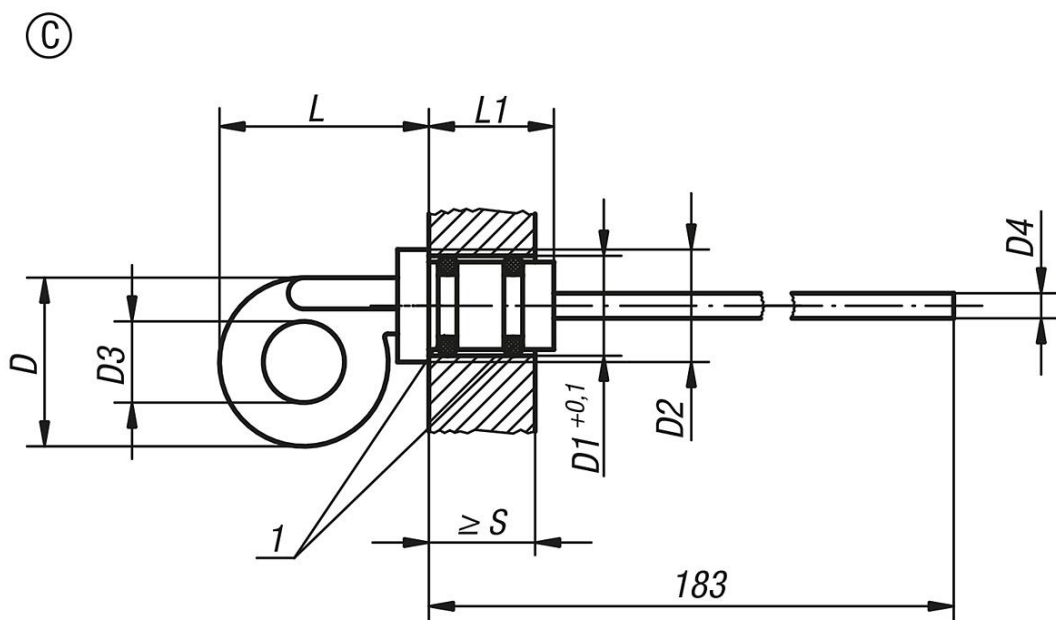
#### Version:

Black handle.  
Dipstick, phosphated.

#### Drawing reference:

1) O-ring

## Drawings



## Overview of items

Order No.	Form	D	D1	D2	D3	D4 Ø	L	L1	S min.
K0468.32714	C	27	14	18	13	4	34	20	17
K0468.33012	C	27	12	18	14	4	36	20	16
K0468.33318	C	33	18	24	14	5	44	21	17,5
K0468.33520	C	35	20	24	16	5	46	21	17,5