

Rubber buffers type K conical with external thread

Item description/product images



Description

Material:

Metal parts steel, grade 5.6.

Elastomer natural rubber, medium hardness, Shore 55A.

Version:

Steel electro zinc-plated.

Note:

Rubber buffers are robust and effective elastic cushioning elements and shock absorbers. These rubber buffers are ideal for elastic travel limitation and cushioning knocks by mobile and immobile aggregates and machines and for general use as stops.

Due to the material composition, rubber buffers are contact-colouring, which can lead to abrasion marks and discolouration on e.g. floors or contact surfaces.

Rubber buffers made of light grey EPDM that are not contact-colouring are available on request.

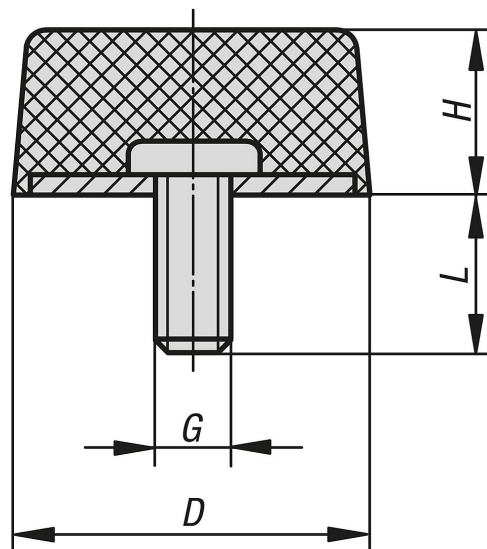
Temperature range:

-30 °C to +80 °C

On request:

Other Shore grades.

Drawings



Overview of items

Rubber buffers, conical

Order No.	D	H	G	L	Spring stiffness N/mm	Load N
K0575.05001855	50	18	M10	28	670	3600
K0575.02501755	25	17	M6	18	119	678

