

Lateral spring plungers, Form B

Item description/product images



Description

Material:

Body in free-cutting steel.

Ball in POM.

Spring in stainless steel.

Version:

Body black oxidised.

Ball bright.

Note:

The lateral spring plunger must be pressed into the hole to at least depth L3.

These plungers are for positioning and holding small parts in fixtures. If mechanical machining of the workpiece is to be carried out, other clamps may be necessary.

When the fixture is not in use it should be ensured that plastic springs are not under stress.

Spring force refers to a mean value.

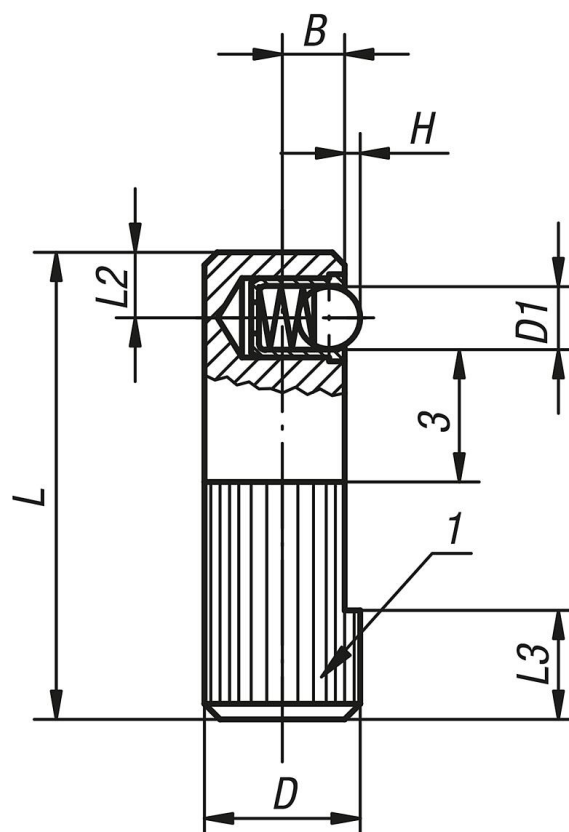
Drawing reference:

1) knurl

2) light holding

Drawings

Form B
POM ball,
one side



Lateral spring plungers, Form B

Overview of items

Lateral Spring Plungers

Order No.	Form	D	D1	H	L	L2	L3	B	Receiving hole H8	Spring force initial pressure F1 approx. N	Spring force final pressure F2 approx. N
K0374.108	B	8	3	0,7	25	3,6	6	3,2	8	2,5	6,5
K0374.110	B	10	4	1,0	30	4,2	7	4	10	4,5	9
K0374.112	B	12	5	1,5	35	4,8	9	5	12	6,5	13
K0374.114	B	14	6,5	1,8	40	5,8	10	5,4	14	8	18