

# Fixture feet with internal thread, Form B flat face hardened and ground

## Item description/product images



### Description

**Material:**

Body high carbon steel.

**Version:**

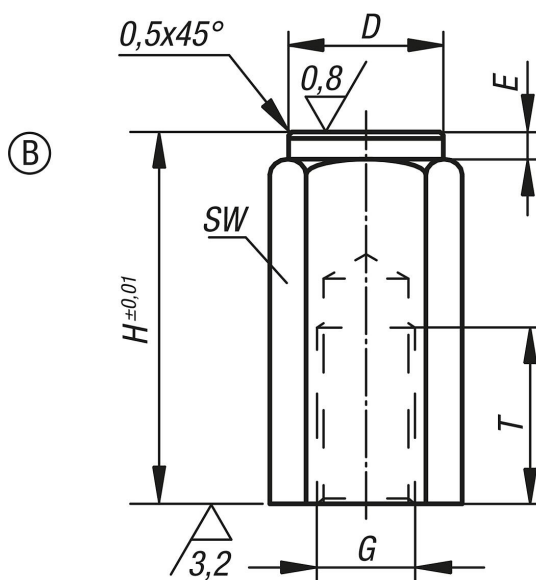
Body tempered and black oxidised.

Contact faces case-hardened.

**Note:**

Fixture feet with internal thread are used as supports for fixtures or rough or machined workpieces. They can also be used as stops or thrust pads in fixtures and toolmaking.

## Drawings



## Overview of items

Order No.	Form	D	E	G	H	T	SW
K0301.206X20	B	9,5	2	M6	20	12	10
K0301.206X40	B	9,5	2	M6	40	12	10
K0301.210X32	B	16,5	3	M10	32	18	17
K0301.210X63	B	16,5	3	M10	63	18	17
K0301.212X32	B	18,5	3	M12	32	18	19
K0301.212X63	B	18,5	3	M12	63	18	19

**Fixture feet with internal thread, Form B flat face hardened and ground****Overview of items**

Order No.	Form	D	E	G	H	T	SW
K0301.216X50	B	23	4	M16	50	24	24
K0301.216X100	B	23	4	M16	100	24	24