

Cylindrical locating pins, Form B

Item description/product images



Description

Material:

Tool steel.

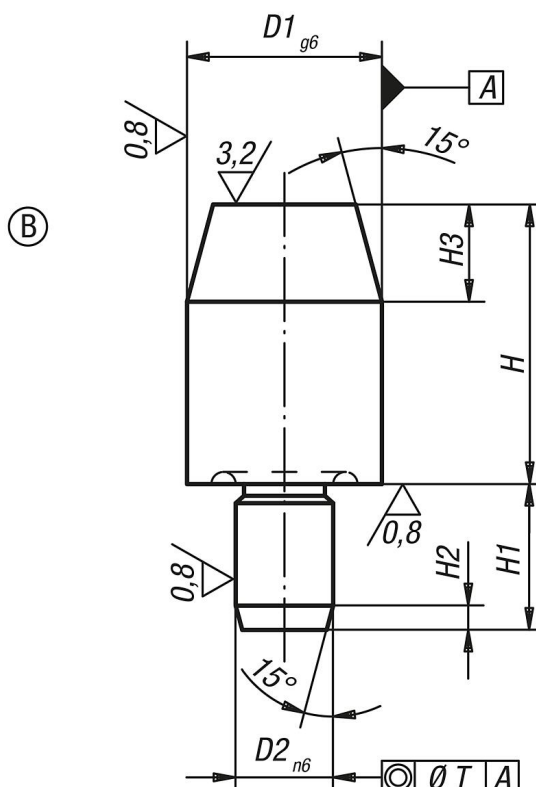
Version:

Hardened and ground.

Note:

Locating pins Form B serve to position workpieces and fixture parts in reamed holes. Locating pins Form B can also be used as hardened stops and as fixture feet. For similar pins see K0352, K0353, K0354 and K0355.

Drawings



Overview of items

Order No.	Form	Version 1	D1	D2	H	H1	H2	H3	T
K0293.206	B	short	6	4	7	6	1,2	4	0,02
K0293.208	B	short	8	6	10	9	1,6	6	0,02
K0293.210	B	short	10	6	10	9	1,6	6	0,02

Cylindrical locating pins, Form B

Overview of items

Order No.	Form	Version 1	D1	D2	H	H1	H2	H3	T
K0293.212	B	short	12	6	10	9	1,6	6	0,02
K0293.216	B	short	16	8	13	12	2	8	0,04
K0293.220	B	short	20	12	15	18	2	9	0,04
K0293.225	B	short	25	12	15	18	2,5	9	0,04
K0293.306	B	long	6	4	12	6	1,2	4	0,02
K0293.308	B	long	8	6	16	9	1,6	6	0,02
K0293.310	B	long	10	6	18	9	1,6	6	0,02
K0293.312	B	long	12	6	18	9	1,6	6	0,02
K0293.316	B	long	16	8	22	12	2	8	0,04
K0293.320	B	long	20	12	25	18	2	9	0,04
K0293.325	B	long	25	12	25	18	2,5	9	0,04