

Pull handles, aluminium with plastic grip legs

Item description/product images

19"



Description

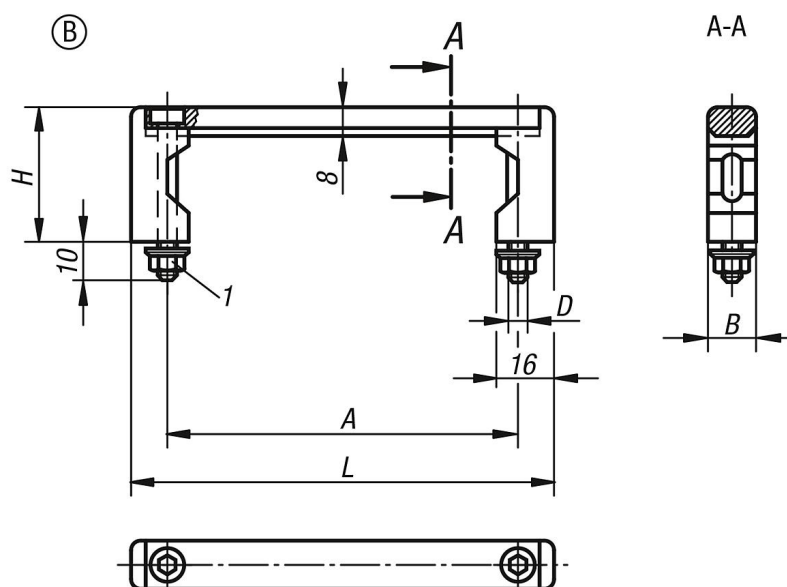
Material:

Grip aluminium.
Legs glass-bead reinforced polyamide.

Version:

Grip matt-finished and natural tone or black anodised.
Legs fine structure semi-matt, black.

Drawings



Overview of items

All-purpose apparatus handles

Order No.	Form	Main colour	A	B	D	H	L	Load capacity N
K0216.055101	B	black	55	12	M5	40	75	1000
K0216.088101	B	black	88	12	M5	40	108	1000
K0216.100101	B	black	100	12	M5	40	120	1000
K0216.120101	B	black	120	12	M5	40	140	1000
K0216.180101	B	black	180	12	M5	40	200	1000
K0216.235101	B	black	235	12	M5	40	255	1000
K0216.055103	B	natural	55	12	M5	40	75	1000
K0216.088103	B	natural	88	12	M5	40	108	1000
K0216.100103	B	natural	100	12	M5	40	120	1000
K0216.120103	B	natural	120	12	M5	40	140	1000

Pull handles, aluminium with plastic grip legs**Overview of items**

Order No.	Form	Main colour	A	B	D	H	L	Load capacity N
K0216.180103	B	natural	180	12	M5	40	200	1000
K0216.235103	B	natural	235	12	M5	40	255	1000