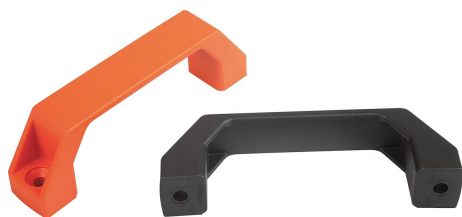


Pull handles, plastic, narrow, slanted both sides, for countersunk screws

Item description/product images



Description

Material:

Glass bead reinforced thermoplastic.

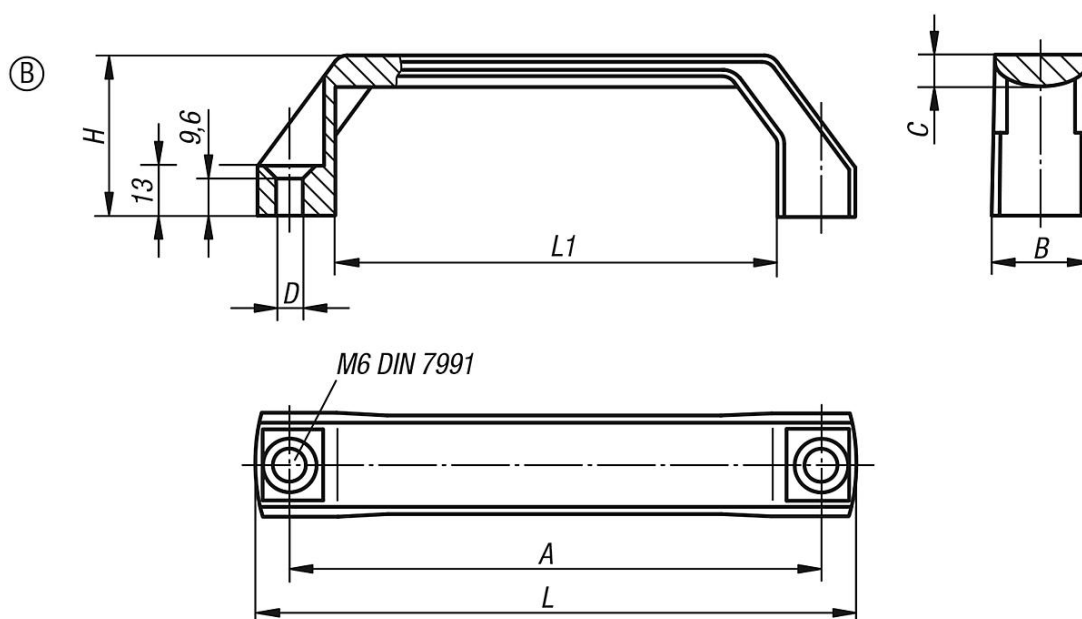
Note:

Dimension "A" applies after mounting. Before mounting it can be up to 2 mm smaller due to the release of the bending stress.

On request:

Black RAL 7021 or orange.

Drawings



Overview of items

Stirrup-Shaped Handles in thermoplastic

Order No.	Form	Main colour	A	B	C	D	H	L	L1	Load capacity N
K0191.2120061	B	black grey RAL 7021	120	26	8	6,6	42	138	96	1000
K0191.2140061	B	black grey RAL 7021	140	26	8	6,6	42	158	116	1000
K0191.2160061	B	black grey RAL 7021	160	28	9	6,6	45	178	136	1000
K0191.2120062	B	orange	120	26	8	6,6	42	138	96	1000
K0191.2140062	B	orange	140	26	8	6,6	42	158	116	1000
K0191.2160062	B	orange	160	28	9	6,6	45	178	136	1000