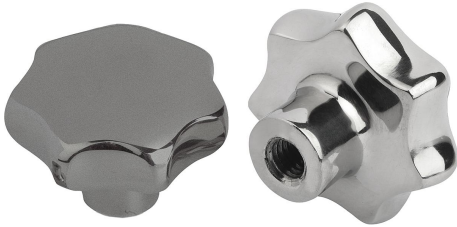


Star grips similar to DIN 6336, stainless steel, Form E, blind tapped hole

Item description/product images



Description

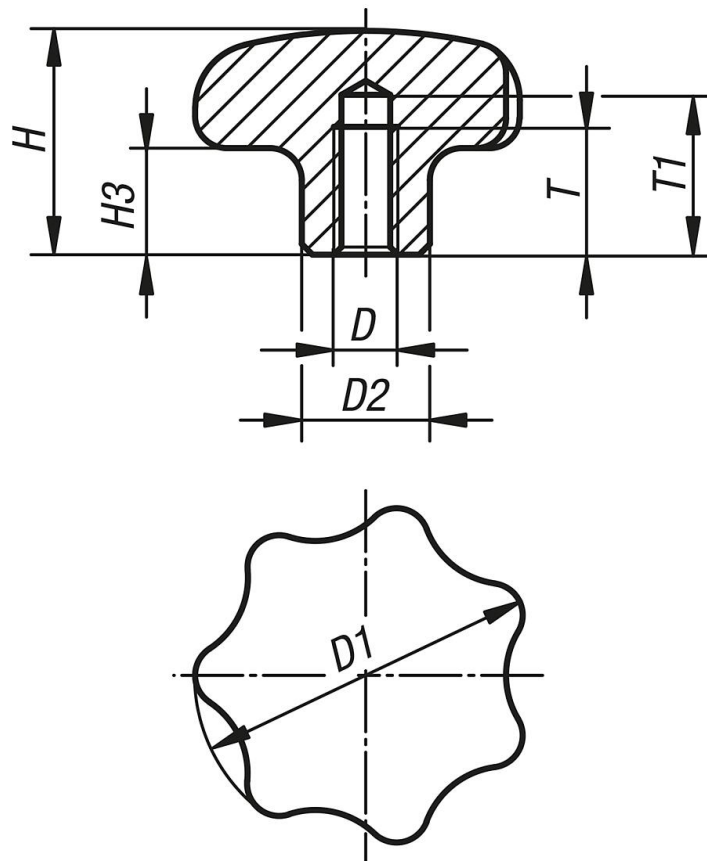
**Material:**  
Stainless steel 1.4308.

**Version:**  
Ground and polished or blasted.

**On request:**  
With external thread.

Drawings

Ⓔ



Overview of items

Order No.	Form	Surface finish body	D	D1	D2	H	H3	T	T1
K0150.532062	E	polished	M6	32	12	21	10	12	15
K0150.540082	E	polished	M8	40	14	26	13	15	18
K0150.550102	E	polished	M10	50	18	34	17	18	21
K0150.563122	E	polished	M12	63	20	42	21	22	25
K0150.532063	E	blasted	M6	32	12	21	10	12	15
K0150.540083	E	blasted	M8	40	14	26	13	15	18
K0150.550103	E	blasted	M10	50	18	34	17	18	21
K0150.563123	E	blasted	M12	63	20	42	21	22	25

