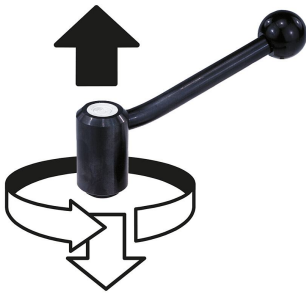


Tension levers stainless steel with internal thread, 20°

Item description/product images



lift to
disengage



Description

Material:

Steel parts stainless steel 1.4305.

Ball knob black plastic.

Version:

Stainless steel parts bright.

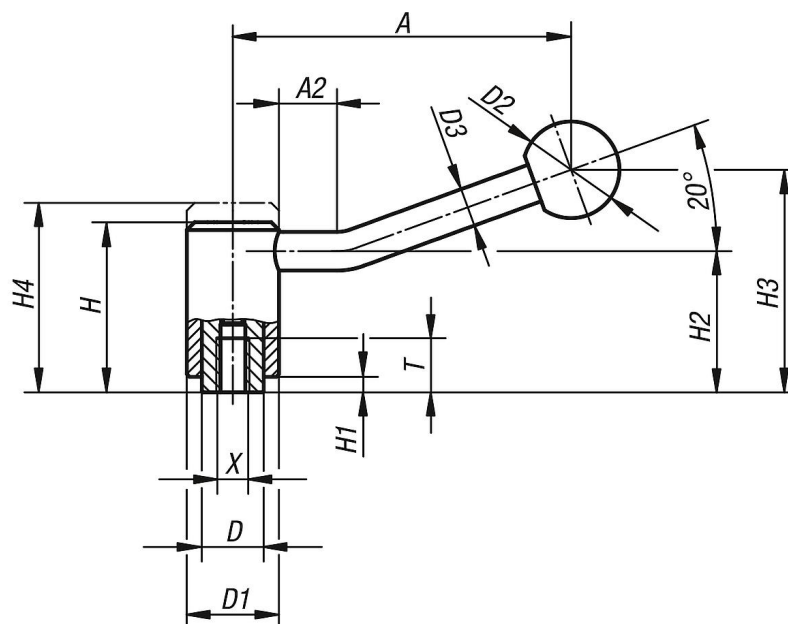
Ball knob polished.

On request:

Other female threads and special versions.

Dimensions "H1" and "A" available in other lengths at extra charge.

Drawings



Tension levers stainless steel with internal thread, 20°

Overview of items

Order No.	Form	X	T	A	A2	D	D1	D2	D3	H	H1	H2	H3	H4	No. of teeth
K0109.1081	20°	M8	14	88	15	16	24	25	10	44,5	4,5	37	58,5	49,5	22
K0109.1101	20°	M10	14	88	15	16	24	25	10	44,5	4,5	37	58,5	49,5	22
K0109.2101	20°	M10	17	106	15	19	28	32	12	51,5	5,5	42	68,5	57,5	24
K0109.2121	20°	M12	17	106	15	19	28	32	12	51,5	5,5	42	68,5	57,5	24
K0109.3121	20°	M12	23	128,5	15	23	33	32	13	58	6	47	81	65	26
K0109.3161	20°	M16	23	128,5	15	23	33	32	13	58	6	47	81	65	26
K0109.4161	20°	M16	27	128,5	15	30	41	32	13	68,5	7,5	56,5	89,5	76,5	36
K0109.4201	20°	M20	27	128,5	15	30	41	32	13	68,5	7,5	56,5	89,5	76,5	36