

Thrust screws with loose T-bar, DIN 6306

Item description/product images



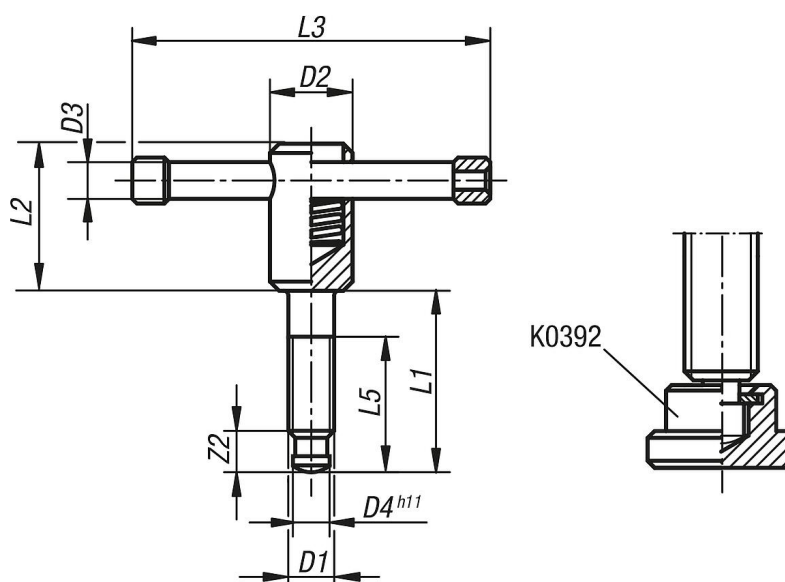
Description

Material:
Steel.

Version:
Black oxidised. Thrust pin hardened.

Note:
Pad Screws with movable spindle have a moving spindle that is held by a compression spring in each desired position. Stop-rings are used to limit the movement.

Drawings



Overview of items

Order No.	Version 1	D1	D2	D3	D4	L1	L2	L3	L5	Z2
K0756.210X40	sliding t-bar	M10	18	8	8	40	32	80	30	9
K0756.210X50	sliding t-bar	M10	18	8	8	50	32	80	40	9
K0756.212X50	sliding t-bar	M12	20	10	8	50	35	100	40	10
K0756.212X60	sliding t-bar	M12	20	10	8	60	35	100	50	10
K0756.216X55	sliding t-bar	M16	24	13	12	55	40	120	45	12
K0756.216X70	sliding t-bar	M16	24	13	12	70	40	120	60	12
K0756.216X90	sliding t-bar	M16	24	13	12	90	40	120	80	12
K0756.220X55	sliding t-bar	M20	30	16	15,5	55	45	140	45	14
K0756.220X70	sliding t-bar	M20	30	16	15,5	70	45	140	60	14
K0756.220X90	sliding t-bar	M20	30	16	15,5	90	45	140	80	14