

## Inserts round with countersink, Form 0

### Item description/product images



### Description

#### Material, version:

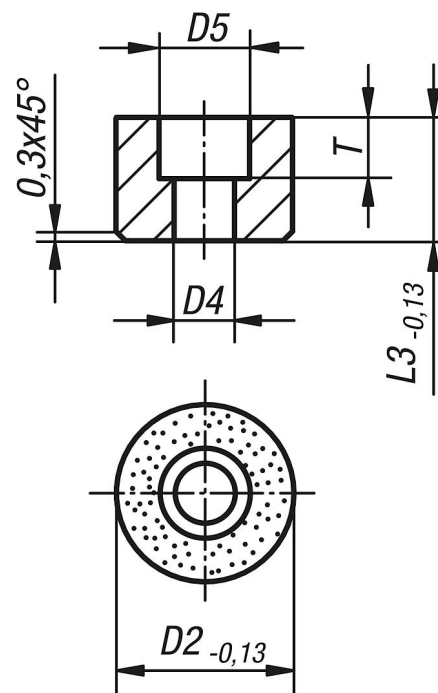
Form 0 stainless steel with diamond surface comparable with abrasive grit size 100.

#### Note:

Grippers and Inserts are ideal for use in clamping arms, gripping systems, clamping fixtures, clamping jaws and self-aligning pads. Grippers transfer very high torque values and above average retaining forces even when applied to hard materials and surface irregularities.

### Drawings

①



### Overview of items

Order No.	Form	D2	D4	D5	L3	T
K0385.110105	0	10	3,4	6	10	5
K0385.110125	0	10	3,4	6	12	5
K0385.112105	0	12	4,5	8	10	5,6
K0385.112125	0	12	4,5	8	12	5,6
K0385.116105	0	16	5,5	11	10	6,6
K0385.116125	0	16	5,5	11	12	6,6
K0385.120105	0	20	6,6	11	10	7,6
K0385.120125	0	20	6,6	11	12	7,6
K0385.125105	0	25	6,6	11	10	7,6
K0385.125125	0	25	6,6	11	12	7,6

