

## Spring plungers with slot and stainless steel ball, plastic

### Item description/product images



### Description

#### Material:

Sleeve plastic.  
Ball 1.4034 stainless steel.  
Spring 1.4310.

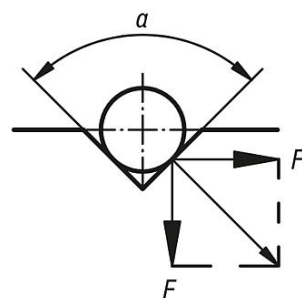
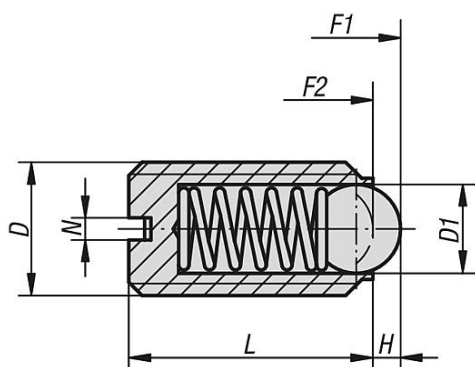
#### Version:

Ball, hardened.

#### Note:

Spring plungers are used for indexing and positioning. They can also be used as ejectors.

### Drawings



$$\begin{aligned} \alpha = 60^\circ, F' &= 1,732 \times F \\ \alpha = 90^\circ, F' &= F \\ \alpha = 120^\circ, F' &= 0,577 \times F \end{aligned}$$

### Overview of items

#### Spring plungers with slot and stainless steel ball, plastic

Order No.	D	D1	H	L	N	Spring force initial pressure F1 approx. N	Spring force final pressure F2 approx. N
K0312.06	M6	3,5	1	14	1	9	13
K0312.08	M8	5	1,5	16	1,2	15	30
K0312.10	M10	6	2	19	1,6	20	40