

Self-aligning pads, adjustable, with O-ring and exchangeable inserts, hexagon socket, Form P, stainless steel insert with polyurethane face

Item description/product images



Description

Material:

Body carbon steel.

Ball rust and acid resistant steel.

Insert:

Form P stainless steel.

Version:

Body tempered, black oxidised.

Ball hardened, bright.

Insert:

Form P polyurethane surface, Shore 60.

Note:

Self-aligning pads are used to support and clamp unmachined and machined workpieces.

They also serve as stops, supports and thrust pads in fixtures and toolmaking.

The ball can be removed from the housing by applying light pressure to the socket head screw.

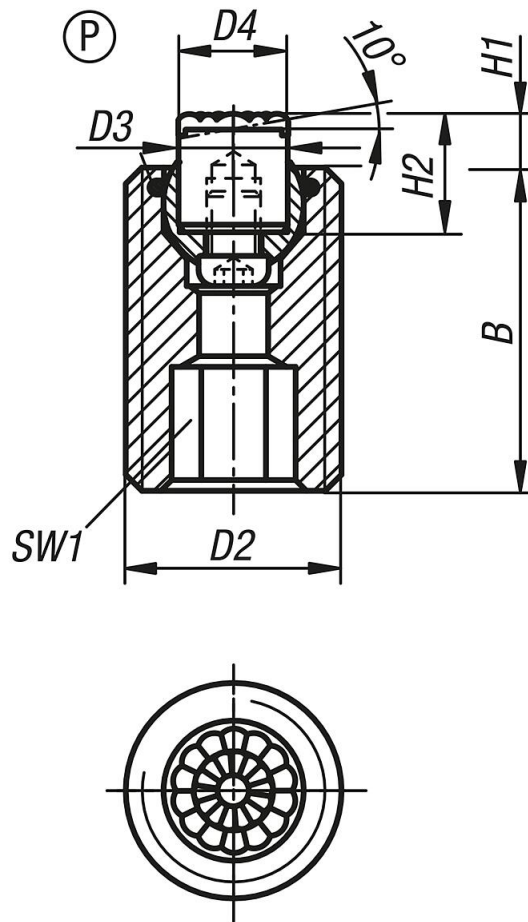
Ball secured against rotation.

Advantages:

Highly cost-effective as inserts can be exchanged.

The built-in O-ring holds the ball in place and keeps dirt and foreign particles out, ensuring uniform movement.

Self-aligning pads, adjustable, with O-ring and exchangeable inserts, hexagon socket, Form P, stainless steel insert with polyurethane face
 Drawings



Overview of items

Order No.	Form	B	D2	D3	D4	H1	H2	SW1	Ball-Ø	Load rating max. kN (static load only)	Order No. stainless steel insert, polyurethane surface
K0291.620X030	P	30	M20	10	10	6	12	10	13	37	K0385.10126
K0291.620X050	P	50	M20	10	10	6	12	10	13	37	K0385.10126
K0291.620X070	P	70	M20	10	10	6	12	10	13	37	K0385.10126
K0291.624X040	P	40	M24	12	13	6	12	10	15	55	K0385.12126
K0291.624X080	P	80	M24	12	13	6	12	10	15	55	K0385.12126