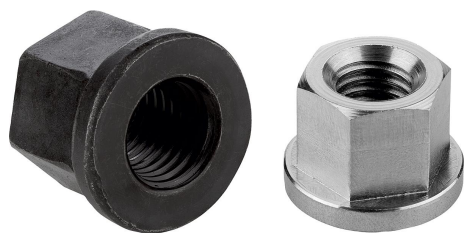


## Hexagon nuts with collar height 1.5xD, DIN 6331 enhanced

### Item description/product images



### Description

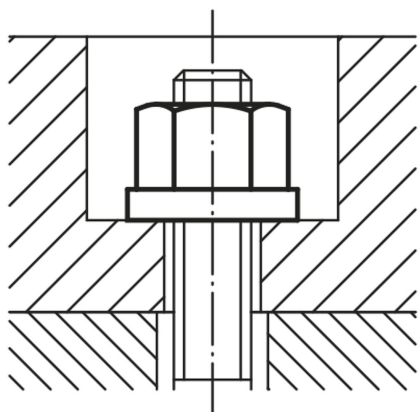
#### Material:

High-carbon steel, stainless steel A2 or A4.

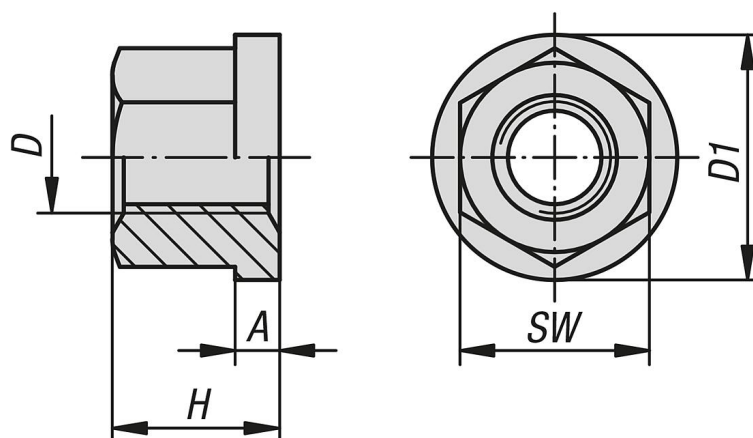
#### Version:

Steel grade 10, bright (blackened).

Stainless steel bright.



### Drawings



### Overview of items

#### Hexagon nuts with collar height 1.5xD, DIN 6331 enhanced

Order No.	Main material	D	H = 1,5 x D	A	D1	SW
K0701.05	high carbon steel	M5	7,5	2	12	9
K0701.06	high carbon steel	M6	9	3	14	10
K0701.08	high carbon steel	M8	12	3,5	18	13
K0701.10	high carbon steel	M10	15	4	22	16
K0701.101	high carbon steel	M10	15	4	22	17
K0701.12	high carbon steel	M12	18	4	25	18
K0701.121	high carbon steel	M12	18	4	25	19
K0701.14	high carbon steel	M14	21	4,5	28	22
K0701.16	high carbon steel	M16	24	5	31	24

## Hexagon nuts with collar height 1.5xD, DIN 6331 enhanced

### Overview of items

Order No.	Main material	D	H = 1,5 x D	A	D1	SW
K0701.18	high carbon steel	M18	27	5	34	27
K0701.20	high carbon steel	M20	30	6	37	30
K0701.22	high carbon steel	M22	33	6	40	34
K0701.24	high carbon steel	M24	36	6	45	36
K0701.30	high carbon steel	M30	45	8	58	46
K0701.36	high carbon steel	M36	54	10	68	55
K0701.806	stainless steel A2	M6	9	3	14	10
K0701.808	stainless steel A2	M8	12	3,5	18	13
K0701.810	stainless steel A2	M10	15	4	22	16
K0701.811	stainless steel A2	M10	15	4	22	17
K0701.812	stainless steel A2	M12	18	4	25	18
K0701.8121	stainless steel A2	M12	18	4	25	19
K0701.816	stainless steel A2	M16	24	5	31	24
K0701.820	stainless steel A2	M20	30	6	37	30
K0701.908	stainless steel A4	M8	12	3,5	18	13
K0701.910	stainless steel A4	M10	15	4	22	17
K0701.912	stainless steel A4	M12	18	4	25	19
K0701.916	stainless steel A4	M16	24	5	31	24
K0701.920	stainless steel A4	M20	30	6	37	30