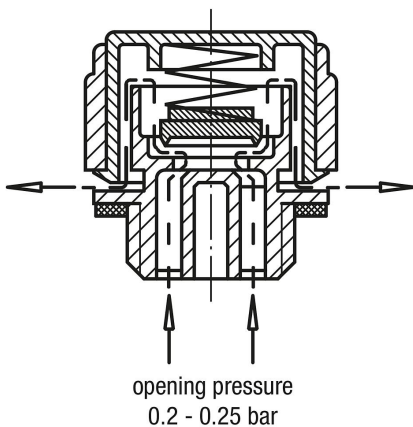


## Vent screws with check valve and dipstick

### Item description/product images



#### Operating principle



### Description

#### Material:

Housing and cap thermoplastic polyamide.  
Spring stainless steel.  
Dipstick zinc.  
Lift disc and seal rubber (NBR).

#### Version:

Housing black.  
Cap red.  
Dipstick phosphated.

#### Note:

Opening pressure 0.20 – 0.25 bar.

#### Temperature range:

Temperature resistant with oil up to 100°C.

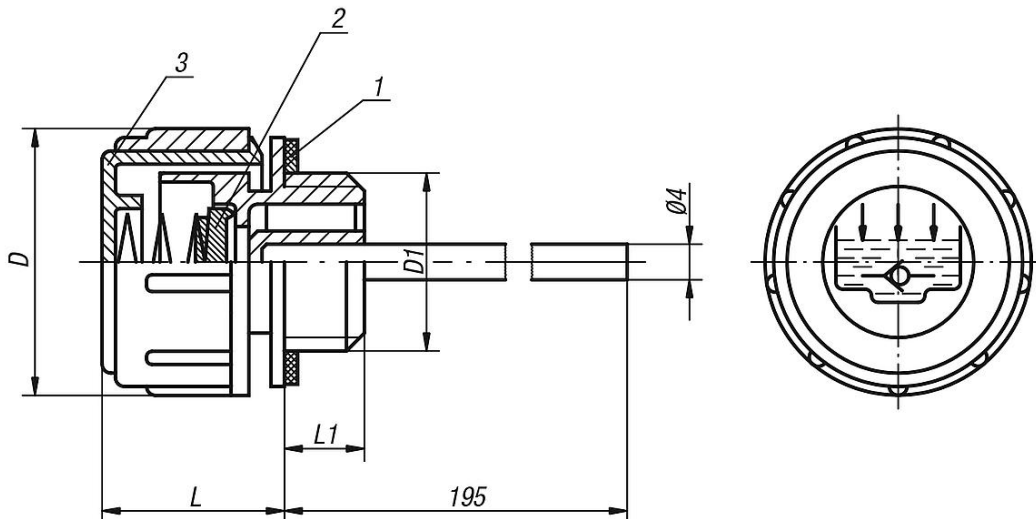
#### On request:

Min-Max markings.

#### Drawing reference:

- 1) flat seal
- 2) lift disc
- 3) cap

### Drawings



### Overview of items

#### Vent screws with check valve and dipstick

Order No.	D	D1	L	L1
K0467.30038	30	G3/8	21	10
K0467.30012	30	G1/2	21	10

