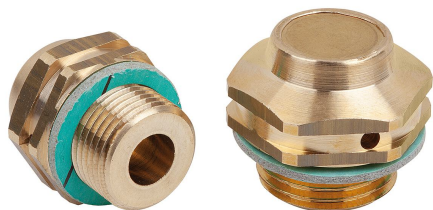


Vent screws brass with check valve

Item description/product images



Description

Material:
 Housing and cap brass.
 Spring stainless steel.
 Lift disc brass.
 O-ring NBR.

Version:
 Flat seal asbestos-free.

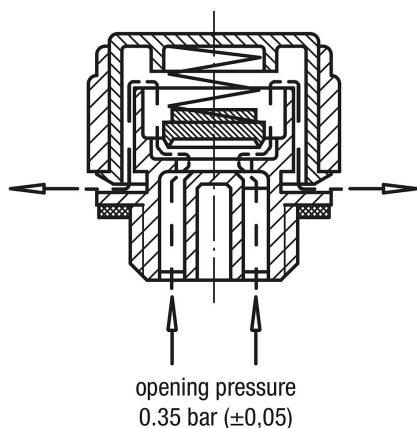
Note:
 Opening pressure 0.35 bar ($\pm 0,05$).

Functional principle:
 See K0459 vent screws with check valve.

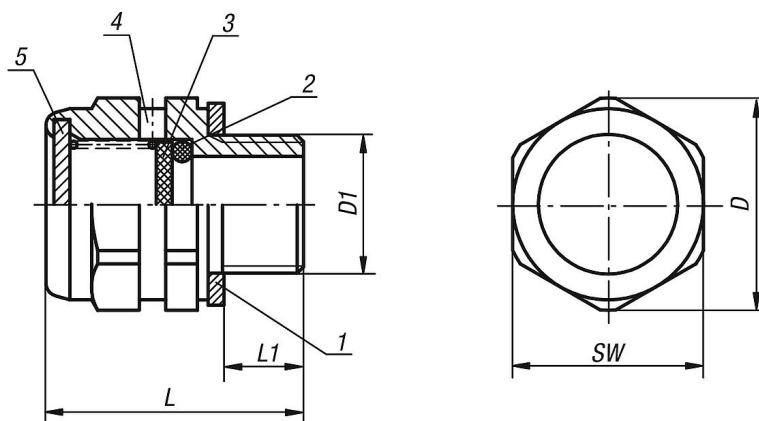
Drawing reference:

- 1) flat seal
- 2) O-ring
- 3) lift disc
- 4) vent hole 2x
- 5) cap

Operating principle



Drawings



Overview of items

Vent screws brass with check valve

Order No.	D	D1	L	L1	SW
K0461.20014	20	G1/4	24,3	7,5	18
K0461.24038	24,5	G3/8	24,5	8,5	22
K0461.30012	30	G1/2	24,5	8,5	27

