

Swivel feet plates extended, plastic, Form C

Item description/product images



Description

Material:

Plates, thermoplastic, fibreglass reinforced.

Version:

Black.

Note:

Swivel feet consist of a plate and a threaded spindle or ball joint. Any plate can be combined with any threaded spindle or ball joint.

For matching threaded spindles see K0421.

For matching ball joints see K0422.

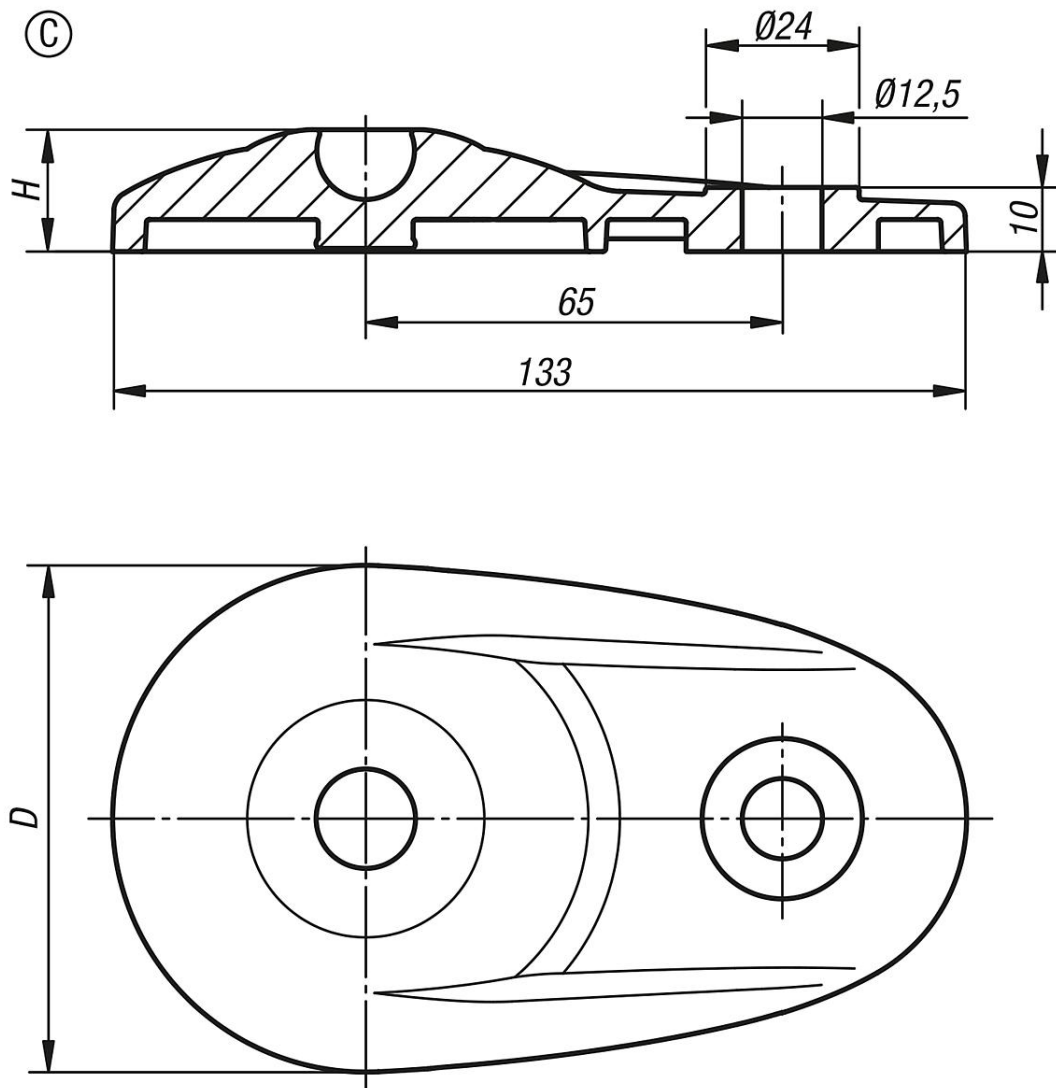
Drawing reference:

Form C with screw-on hole, without anti-slip plate

Form D with screw-on hole, with anti-slip plate

Swivel feet plates extended, plastic, Form C

Drawings



Overview of items

Swivel feet plates extended, plastic

Order No.	Form	D	H	Load rating max. kN
K0654.30803	C	80	19	30