

Lateral spring plungers without seal, thrust pin POM, spring steel

Item description/product images



Description

Material:

Sleeve in aluminium; spring in steel; pressure pin in plastic

Version:

Sleeve blue electro zinc-plated.

Note:

Lateral spring plungers are for positioning, clamping, holding and securing workpieces and parts for engraving, labelling, drilling, reaming, tapping, honing, grinding, welding, soldering, assembling, mounting etc.

Suitable eccentric adjustment bush see K0369.

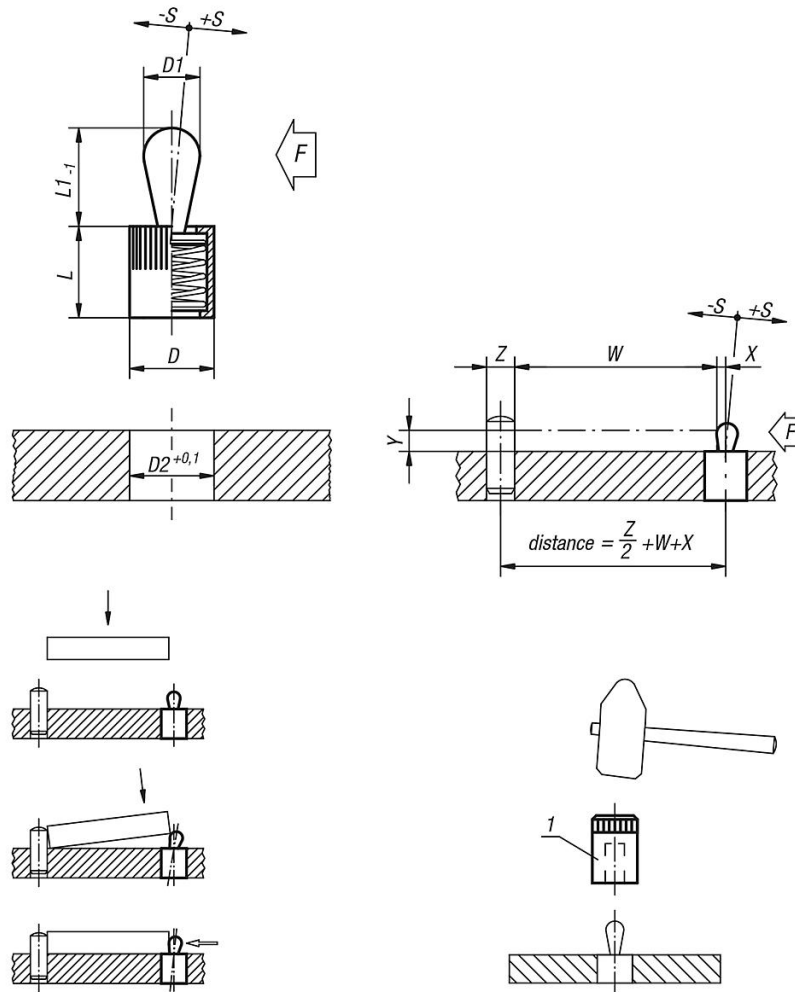
W and Z are customer specified.

Drawing reference:

1) assembly tool

Lateral spring plungers without seal, thrust pin POM, spring steel

Drawings



Overview of items

Order No.	D	D1	L	L1	D2	±S	F ca.N	X if Y = 1	X if Y = 2	X if Y = 3	X if Y = 4.5	X if Y = 6	X if Y = 8	Order No. assembly tool
K0368.71034	6	3	7	4	6	0,5	10	0,8	1	1	1	1	1	K0369.03
K0368.71054	10	5	11	6,7	10	0,8	20	-	1,5	1,7	1,7	1,7	1,7	K0369.05
K0368.71064	10	6	11	10,7	10	1	40	-	-	-	1,7	1,9	1,9	K0369.05
K0368.71084	12	8	13	13,9	12	1,3	50	-	-	-	-	2,5	2,7	K0369.08
K0368.71104	16	10	17	16,7	16	1,6	100	-	-	-	-	-	3,1	K0369.10