

Indexing plungers with grip, stainless steel, Form A

Item description/product images



Description

Material:

Stainless steel 1.4305.

Version:

Bright.

Indexing pin ground, not hardened.

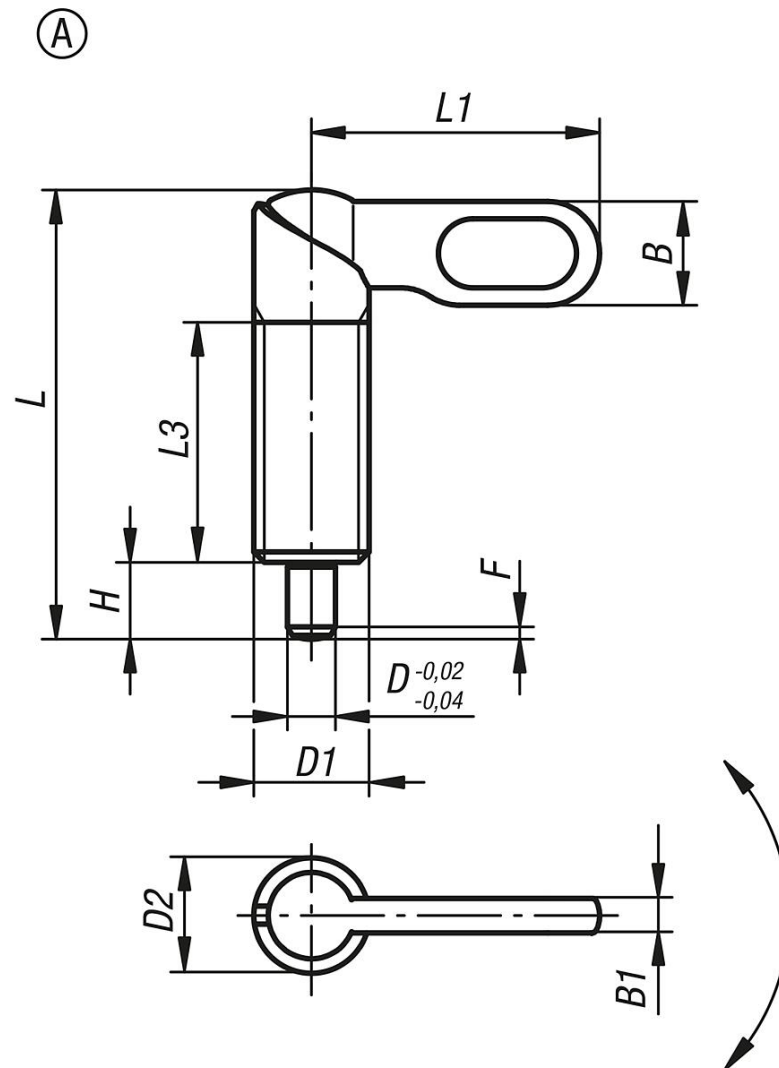
Note:

Cam-action indexing plungers are used when the indexing pin should not project all the time. Turning the handle through 180° retracts the pin.

A notch ensures that the handle remains in this position.

Indexing plungers with grip, stainless steel, Form A

Drawings



Overview of items

Order No.	Form	D	D1	D2	L	L1	L3	B	B1	H	Fx30°	Spring force initial pressure F1 approx. N	Spring force final pressure F2 approx. N
K0637.1040410	A	4	M10	10	38	25	20	9	3	6	1	8	14
K0637.1040510	A	5	M10	10	38	25	20	9	3	6	1,3	8	14
K0637.1040610	A	6	M10	10	38	25	20	9	3	6	1,8	8	14
K0637.10404101	A	4	M10x1	10	38	25	20	9	3	6	1	8	14
K0637.10405101	A	5	M10x1	10	38	25	20	9	3	6	1,3	8	14
K0637.10406101	A	6	M10x1	10	38	25	20	9	3	6	1,8	8	14
K0637.1040512	A	5	M12	12	46,8	30	25	10,8	3,6	8	1,3	8	15
K0637.1040612	A	6	M12	12	46,8	30	25	10,8	3,6	8	1,8	8	15
K0637.1040812	A	8	M12	12	46,8	30	25	10,8	3,6	8	2,3	8	15
K0637.10405121	A	5	M12x1,5	12	46,8	30	25	10,8	3,6	8	1,3	8	15
K0637.10406121	A	6	M12x1,5	12	46,8	30	25	10,8	3,6	8	1,8	8	15
K0637.10408121	A	8	M12x1,5	12	46,8	30	25	10,8	3,6	8	2,3	8	15
K0637.1040616	A	6	M16	16	60,4	40	32	14,4	4,8	10	1,8	15	35
K0637.1040816	A	8	M16	16	60,4	40	32	14,4	4,8	10	2,3	15	35
K0637.1041016	A	10	M16	16	60,4	40	32	14,4	4,8	10	2,8	15	35
K0637.10406161	A	6	M16x1,5	16	60,4	40	32	14,4	4,8	10	1,8	15	35
K0637.10408161	A	8	M16x1,5	16	60,4	40	32	14,4	4,8	10	2,3	15	35
K0637.10410161	A	10	M16x1,5	16	60,4	40	32	14,4	4,8	10	2,8	15	35
K0637.1040820	A	8	M20	20	70	50	35	18	6	12	2,3	20	60

Indexing plungers with grip, stainless steel, Form A

Overview of items

Order No.	Form	D	D1	D2	L	L1	L3	B	B1	H	Fx30°	Spring force initial pressure F1 approx. N	Spring force final pressure F2 approx. N
K0637.1041020	A	10	M20	20	70	50	35	18	6	12	2,8	20	60
K0637.1041220	A	12	M20	20	70	50	35	18	6	12	3	20	60
K0637.10408201	A	8	M20x1,5	20	70	50	35	18	6	12	2,3	20	60
K0637.10410201	A	10	M20x1,5	20	70	50	35	18	6	12	2,8	20	60
K0637.10412201	A	12	M20x1,5	20	70	50	35	18	6	12	3	20	60