

Indexing plungers, steel or stainless steel, without collar, with stainless steel pull ring and locknut

Item description/product images



Description

Material:

Steel version

Indexing pin hardened:
grade 5.8.

Stainless steel version

Indexing pin hardened:
Threaded sleeve 1.4305.
Indexing pin 1.4034.

Indexing pin not hardened:

Threaded sleeve 1.4305.
Indexing pin 1.4305.

Key ring 1.4310, bright.

Version:

Steel version:

Indexing pin hardened, ground, black oxidised.

Stainless steel version:

Indexing pin hardened, ground and bright.

Indexing pin not hardened, ground and bright.

Note:

Indexing plungers are used to prevent any change in locking position due to lateral forces. A new locking position can only be set after the pin has been disengaged. The key ring is also suitable for actuation of the indexing plungers e.g. automatically (program-controlled) with the aid of a pneumatic cylinder or remote control with bowden cables.

A screw-in washer can be supplied to help screw in the indexing plungers. The washer is fitted onto the threaded sleeve so that the carrier pins engage in the slot.

On request:

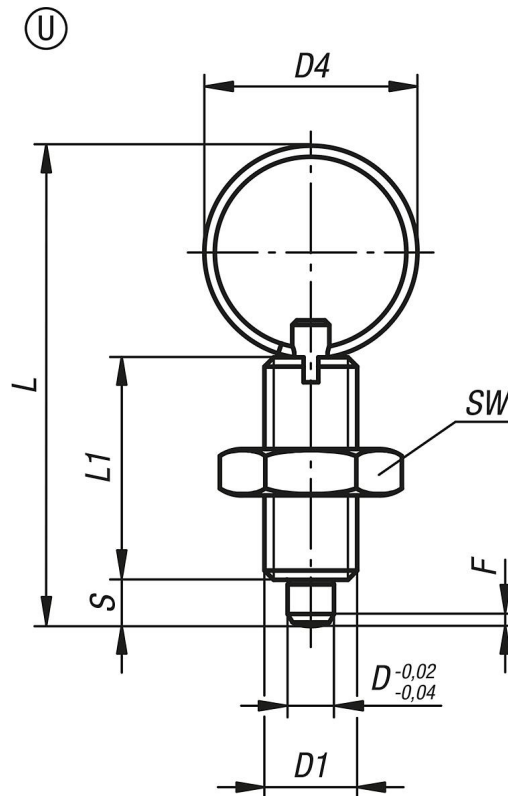
Special versions.

Accessory:

Spacer rings K0665

Indexing plungers, steel or stainless steel, without collar, with stainless steel pull ring and locknut

Drawings



Overview of items

Order No.	Form	Main material	Surface finish body	D	D1	D4	L	L1	Travel S	SW	Fx30°	Spring force initial pressure F1 approx. N	Spring force final pressure F2 approx. N	Order No. screw-in washer
K0635.4004	U	steel	hardened	4	M8x1	15	40	21	4	13	1	6	12	K0344.90
K0635.4105	U	steel	hardened	5	M10x1	23	52	24	5	17	1,3	5	12	K0344.91
K0635.4206	U	steel	hardened	6	M12x1,5	23	57	28	6	19	1,8	6	14	K0344.92
K0635.4308	U	steel	hardened	8	M16x1,5	28	72	36	8	24	2,3	15	35	K0344.93
K0635.4410	U	steel	hardened	10	M20x1,5	28	78	40	10	30	2,8	15	34	K0344.94
K0635.04004	U	stainless steel	hardened	4	M8x1	15	40	21	4	13	1	6	12	K0344.90
K0635.04105	U	stainless steel	hardened	5	M10x1	23	52	24	5	17	1,3	5	12	K0344.91
K0635.04206	U	stainless steel	hardened	6	M12x1,5	23	57	28	6	19	1,8	6	14	K0344.92
K0635.04308	U	stainless steel	hardened	8	M16x1,5	28	72	36	8	24	2,3	15	35	K0344.93
K0635.04410	U	stainless steel	hardened	10	M20x1,5	28	78	40	10	30	2,8	15	34	K0344.94
K0635.14004	U	stainless steel	not hardened	4	M8x1	15	40	21	4	13	1	6	12	K0344.90
K0635.14105	U	stainless steel	not hardened	5	M10x1	23	52	24	5	17	1,3	5	12	K0344.91
K0635.14206	U	stainless steel	not hardened	6	M12x1,5	23	57	28	6	19	1,8	6	14	K0344.92
K0635.14308	U	stainless steel	not hardened	8	M16x1,5	28	72	36	8	24	2,3	15	35	K0344.93
K0635.14410	U	stainless steel	not hardened	10	M20x1,5	28	78	40	10	30	2,8	15	34	K0344.94