

Spring plungers with hexagon socket and thrust pin, light spring force

Item description/product images



Description

Material:

Sleeve steel grade 5.8.
Thrust pin steel.
Spring steel wire grade D.

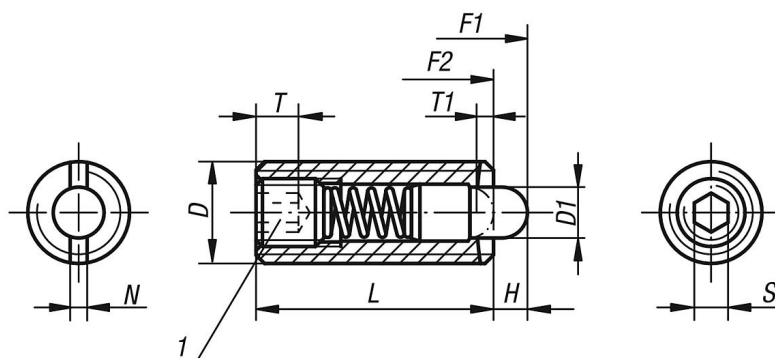
Version:

Black oxidised.
Thrust pin hardened.

Drawing reference:

1) grub screw glued in

Drawings



Overview of items

Spring plungers with hexagon socket and thrust pin, light spring force

Order No.	D	D1	H	L	T	T1	N	S	Spring force initial pressure F1 approx. N	Spring force final pressure F2 approx. N	Order No. Assembly key
K0317.104	M4	1,5	1,5	15	2	0,6	0,6	1,3	2	7	K0317.904
K0317.108	M8	3,5	3	22	3	1,4	1,2	2,5	4	16	K0317.908
K0317.110	M10	4	3	22	3,5	1,4	1,6	3	4	16	K0317.910
K0317.112	M12	6	4	28	5	2	2	4	5	27	K0317.912
K0317.105	M5	2,4	2,3	18	2	0,8	0,8	1,5	3	10	K0317.905
K0317.106	M6	2,7	2,5	20	2,5	1	1	2	3	9	K0317.906
K0317.116	M16	7,5	5	32	6	2,5	2,5	5	20	45	K0317.916