

## Spring plungers with hexagon socket and ball, strong spring force

### Item description/product images

#### Description

##### Material:

Sleeve steel grade 5.8.

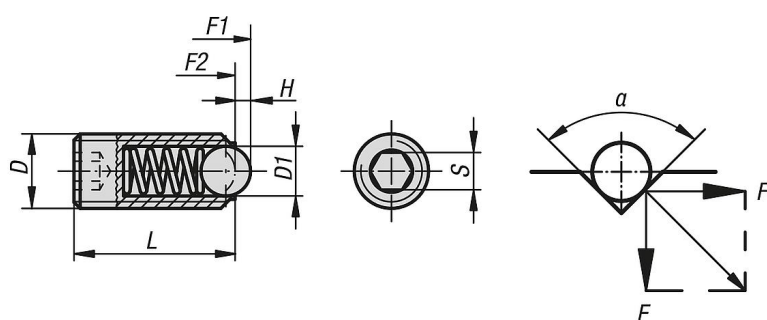
Ball steel.

Spring grade D steel wire.

##### Version:

Black oxidised. Ball hardened.

### Drawings



$$a = 60^\circ, F' = 1,732 \times F$$

$$a = 90^\circ, F' = F$$

$$a = 120^\circ, F' = 0,577 \times F$$

### Overview of items

#### Spring plungers with hexagon socket and ball, reinforced spring

Order No.	D	D1	H	L	S	Spring force initial pressure F1 approx. N	Spring force final pressure F2 approx. N
K0315.204	M4	2,5	0,8	10	2	12	22
K0315.203	M3	1,5	0,4	9	1,5	5	7
K0315.216	M16	10	3,5	33	8	90	180
K0315.224	M24	15	5,5	48	12	130	270
K0315.205	M5	3	0,9	14	2,5	19	30
K0315.206	M6	3,5	1	15	3	28	40
K0315.208	M8	5	1,5	18	4	47	73
K0315.210	M10	6	2	23	5	66	100
K0315.212	M12	8	2,5	26	6	66	120
K0315.220	M20	12	4,5	43	10	115	240