

## Four lobe grips with internal thread

### Item description/product images



### Description

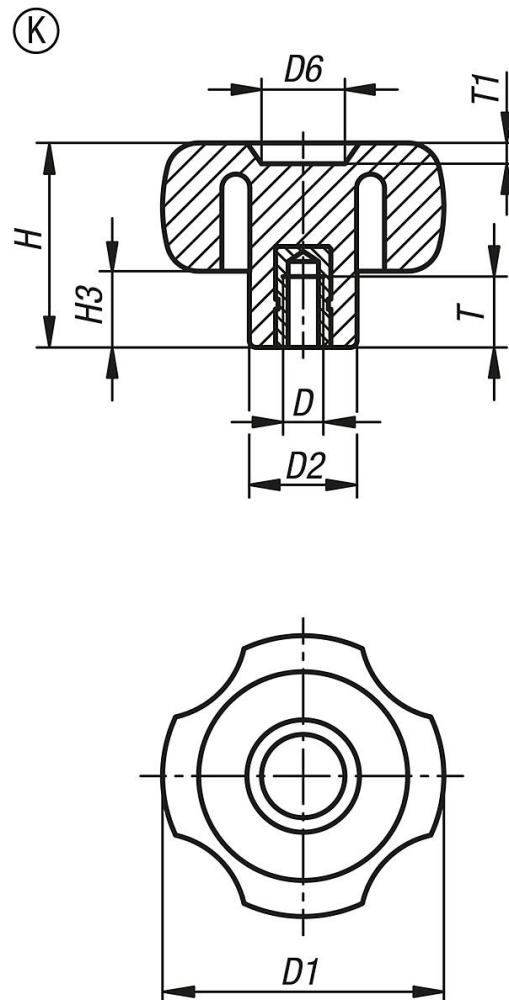
#### Material:

Fibreglass reinforced thermoplastic.  
Tapped bush brass.

#### Version:

Grip, black.

### Drawings



### Overview of items

Order No.	Form	D	D1	D2	D6	H	H3	T	T1
K1093.23006	K	M6	30	15	12	23	9,5	10	2
K1093.24006	K	M6	40,5	15,5	12	29,5	11	10	3
K1093.24008	K	M8	40,5	15	12	27,5	11	14	3
K1093.25208	K	M8	50	20,5	14,5	32,5	11	14	2,5

## Four lobe grips with internal thread

### Overview of items

Order No.	Form	D	D1	D2	D6	H	H3	T	T1
K1093.25210	K	M10	50	20,5	14,5	32,5	11	13	2,5
K1093.26010	K	M10	59	23	24	40	15	14	4
K1093.26012	K	M12	59	23	24	40	15	18	4