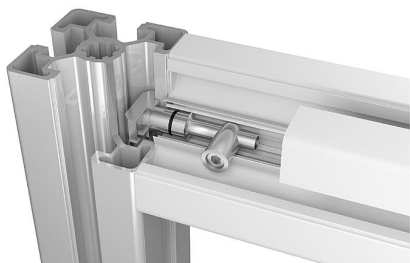


Connecting sets central Type B

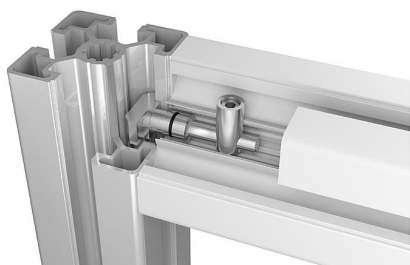
Item description/product images



0°



90°



Description

Material:

Steel.

Version:

Electro zinc-plated.

Note:

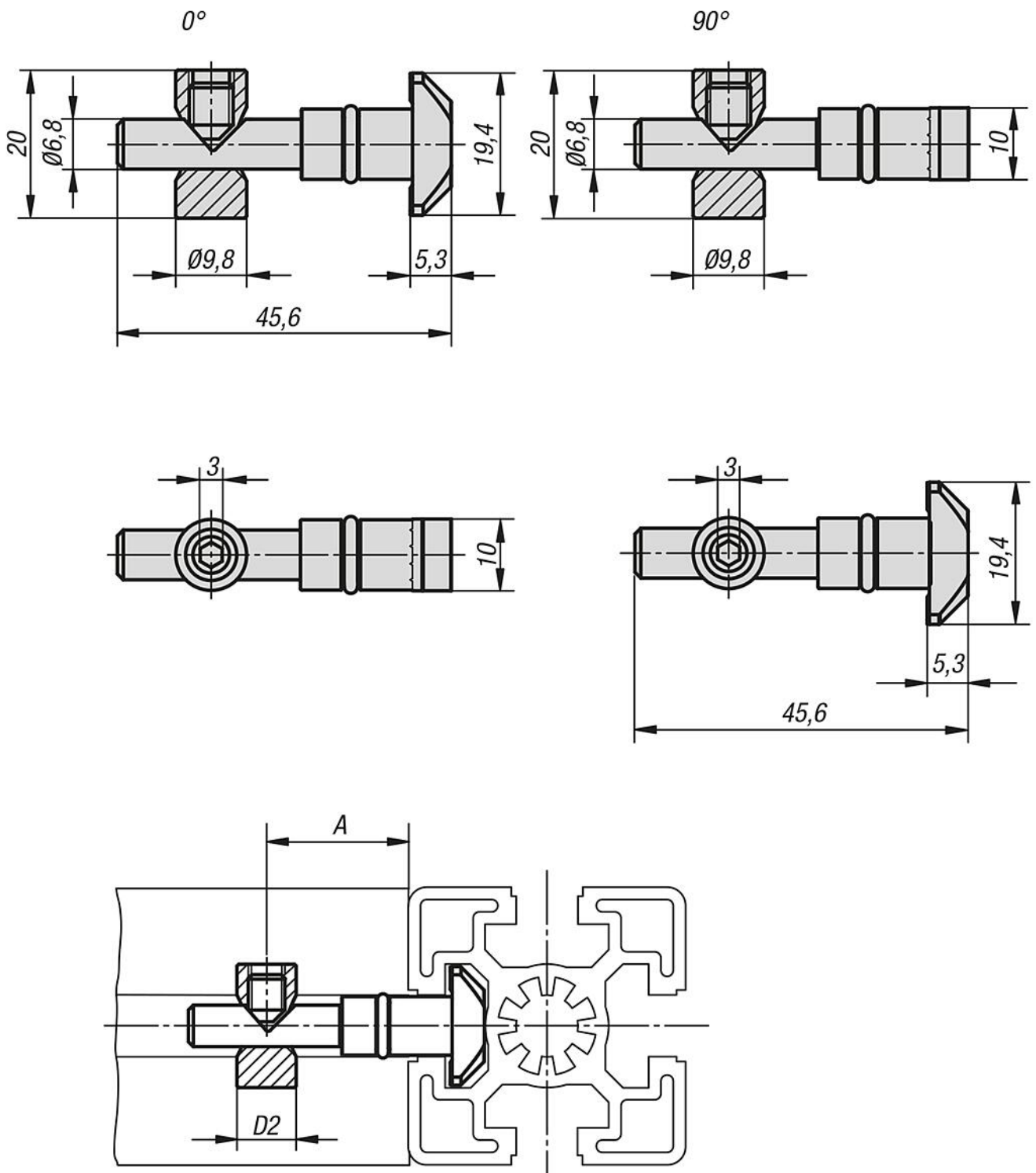
The connecting sets are used to connect two aluminium profiles at right angles. They allow free position of the profiles. The profile slots positioned at right-angles to each other remain free. Panel elements can be positioned in the profile slots without additional machining.

Due to the reduced clamping force and omitted rotation locks, these connecting sets should only be used in combination with panel elements and lightly loaded constructions.

Low workload. To assemble a hole must be drilled into one of the profiles. Due to the reduced pin diameter the slot is not damaged and can be completely covered with a cover profile.

Connecting sets central Type B

Drawings



Overview of items

Connecting sets central Type B

Order No.	Type	Slot width	Version	A	D2
K1035.1000	B	10	0°	22,5	9,8

Connecting sets central Type B

Overview of items

Order No.	Type	Slot width	Version	A	D2
K1035.1090	B	10	90°	22,5	9,8