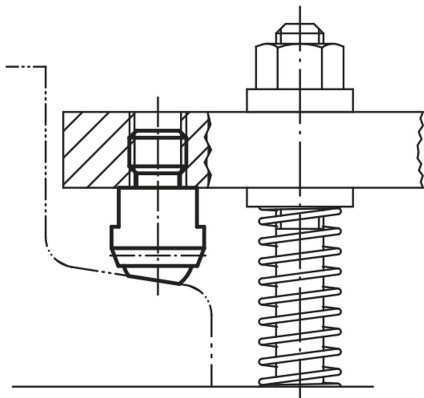


Self-aligning pads

Item description/product images



Description

Material:

Body carbon steel.
 Ball, ball bearing steel 1.2067.
 Form D: Ball with POM insert.
 Form H: Ball with POM insert.
 Form K: Ball with carbide insert.
 Form M has a carbide ball.

Version:

Body tempered and phosphated.
 Ball hardened.
 Form M ball nickel plated.

Note:

Self-aligning pads serve as stops, supports and thrust pads in fixture constructions.

Ball secured against rotation.

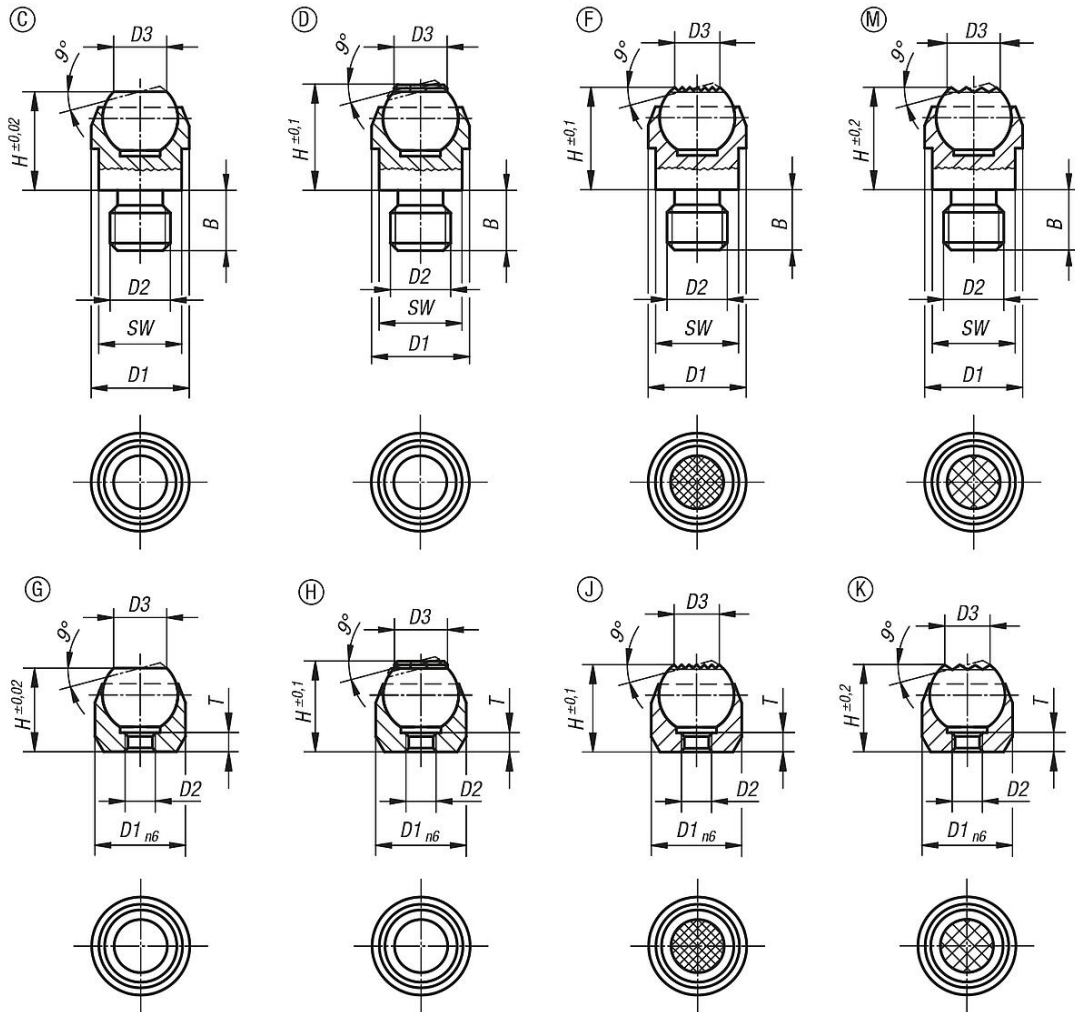
* Valid only if the minimum bore depth is observed.

Drawing reference:

Form C: with external thread, flattened ball, smooth.
 Form D: with external thread, flattened ball, with POM insert.
 Form F: with external thread, flattened ball, diamond grip.
 Form M: with external thread, flattened ball, with carbide insert.
 Form G: press fit, flattened ball, smooth.
 Form H: press fit, flattened ball, with POM insert.
 Form J: press fit, flattened ball, diamond grip.
 Form K: press fit, flattened ball, with carbide insert.

Self-aligning pads

Drawings



Overview of items

Form C, with external thread, flattened ball, plain

Order No.	Form	B	D1	D2	D3	H	Ball-Ø	SW	Load rating max. kN (static load only)
K0282.108	C	8	13	M8	7,2	13	10	11	10
K0282.110	C	10	20	M10	10,5	18	16	17	25
K0282.112	C	12	20	M12	10,5	18	16	17	25
K0282.116	C	16	30	M16	20	27	25	27	90
K0282.120	C	20	50	M20	34,5	35	40	41	165

Form D, with external thread, flattened ball, with POM insert

Order No.	Form	B	D1	D2	D3	H	Ball-Ø	SW	Load rating max. kN (static load only)
K0282.208	D	8	13	M8	7,9	13	10	11	10
K0282.210	D	10	20	M10	12,7	18	16	17	25
K0282.212	D	12	20	M12	12,7	18	16	17	25

Form F, external thread, flattened ball, diamond grip

Self-aligning pads

Overview of items

Order No.	Form	B	D1	D2	D3	H	Ball-Ø	SW	Load rating max. kN (static load only)
K0282.308	F	8	13	M8	7,2	13	10	11	10
K0282.310	F	10	20	M10	10,5	18	16	17	25
K0282.312	F	12	20	M12	10,5	18	16	17	25
K0282.316	F	16	30	M16	20	27	25	27	90
K0282.320	F	20	50	M20	34,5	35	40	41	165

Form M, external thread, flattened ball, with carbide insert

Order No.	Form	B	D1	D2	D3	H	Ball-Ø	SW	Load rating max. kN (static load only)
K0282.908	M	8	13	M8	7,7	13,3	10	11	10
K0282.910	M	10	20	M10	12	18	16	17	25
K0282.912	M	12	20	M12	12	18	16	17	25

Form G, press fit, flattened ball, flat face

Order No.	Form	D1	D2	D3	H	T	Ball-Ø	Receiving hole	Load rating max. kN (static load only)
K0282.403	G	12	M3	7,2	11	3,5	10	Ø 12 H7X6 min.	10*
K0282.404	G	18	M4	10,5	17	4,4	16	Ø 18 H7X8 min.	25*
K0282.405	G	28	M5	20	25	6,3	25	Ø 28 H7X13 min.	90*

Form H, press fit, flattened ball, with POM insert

Order No.	Form	D1	D2	D3	H	T	Ball-Ø	Receiving hole	Load rating max. kN (static load only)
K0282.503	H	12	M3	7,9	11	3	10	Ø 12 H7X6 min.	10*
K0282.504	H	18	M4	12,7	17	4	16	Ø 18 H7X8 min.	25*
K0282.505	H	28	M5	19,05	25	6	25	Ø 28 H7X13 min.	90*

Form J, press fit, flattened ball, diamond grip

Order No.	Form	D1	D2	D3	H	T	Ball-Ø	Receiving hole	Load rating max. kN (static load only)
K0282.603	J	12	M3	7,2	11	3,5	10	Ø 12 H7X6 min.	10*
K0282.604	J	18	M4	10,5	17	4,4	16	Ø 18 H7X8 min.	25*
K0282.605	J	28	M5	20	25	6,3	25	Ø 28 H7X13 min.	90*

Form K, press fit, flattened ball, with carbide insert

Order No.	Form	D1	D2	D3	H	T	Ball-Ø	Receiving hole	Load rating max. kN (static load only)
K0282.804	K	18	M4	12,7	17	4	16	Ø 18 H7X8 min.	25*
K0282.803	K	12	M3	7,9	11	3	10	Ø 12 H7X6 min.	10*
K0282.805	K	28	M5	19,05	25	6	25	Ø 28 H7X13 min.	90*