

# Cylindrical grips revolving

## Item description/product images



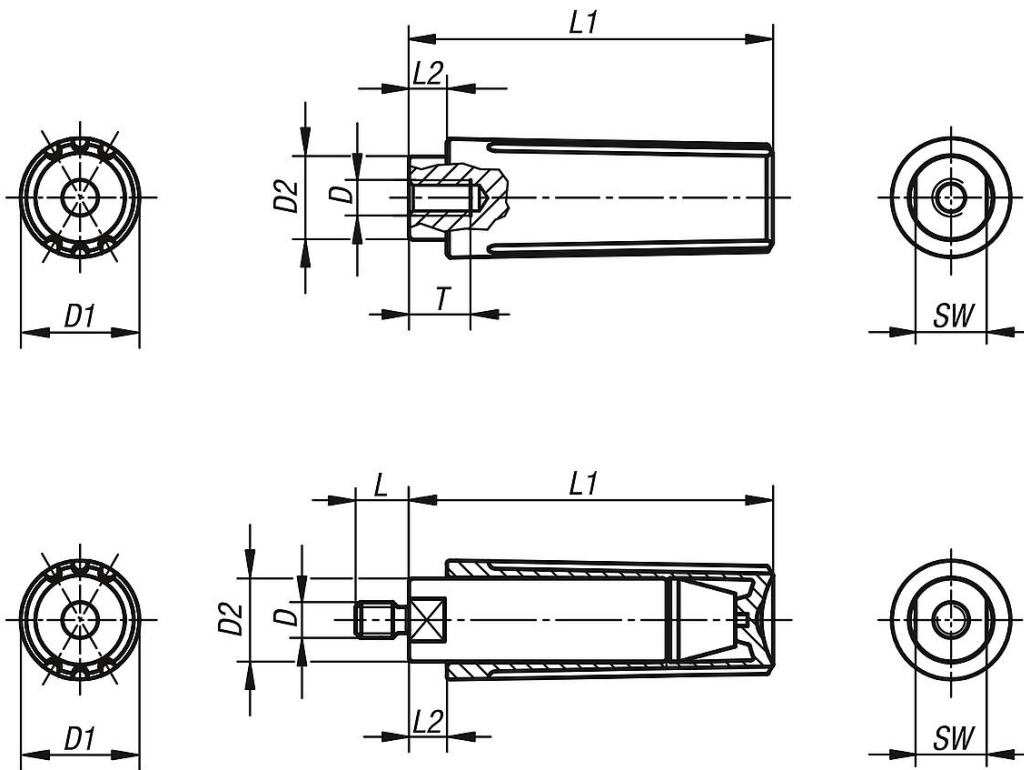
### Description

**Material:**  
Black grey thermoplastic.

**Version:**  
Steel parts black oxidised.

**Note:**  
Cylindrical grips are supplied assembled and can be screwed onto our handwheels, crank handles etc.

## Drawings



## Overview of items

### Cylindrical grips revolving with internal thread

Order No.	D	D1	D2	L1	L2	T	SW
K0263.1104	M4	13	9	40	5	8	8

