

Clamping grips, ergonomic, with internal thread

Item description/product images



Description

Material:

Hard components fibreglass reinforced plastic.
Soft components thermoplastic elastomer.
Bushing steel grade 5.8 or stainless steel 1.4305.

Version:

Steel trivalent blue passivated.
Stainless steel, bright.

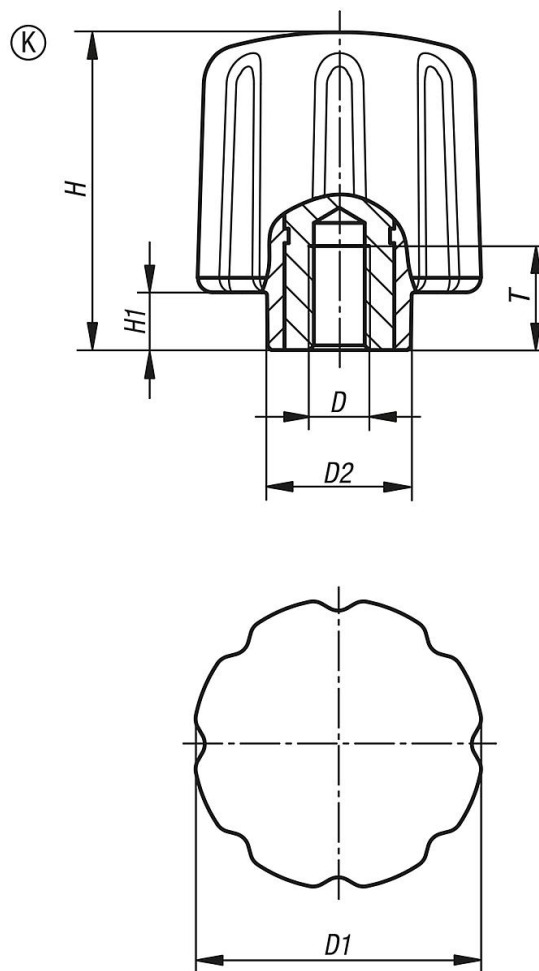
Note:

The colour combination
black grey RAL 7021 (hard components) and
black grey RAL 7021 (soft components)
are supplied as standard.

On request:

Other versions.

Drawings



Clamping grips, ergonomic, with internal thread

Overview of items

Order No.	Form	Component material	D	D1	D2	H	H1	T
K0779.5006	K	steel	M6	50	26	55	10	17
K0779.5008	K	steel	M8	50	26	55	10	17
K0779.5010	K	steel	M10	50	26	55	10	17
K0779.05006	K	stainless steel	M6	50	26	55	10	17
K0779.05008	K	stainless steel	M8	50	26	55	10	17
K0779.05010	K	stainless steel	M10	50	26	55	10	17