

# Cam levers, steel with external thread, plastic thrust washer and steel stud

Item description/product images



## Description

### Material:

Handle steel 1.0401.  
Thrust washer plastic PA 66 GF 35-X fibreglass reinforced.  
Hinge pin stainless steel 1.4305.  
Stud and washer steel, grade 5.8.

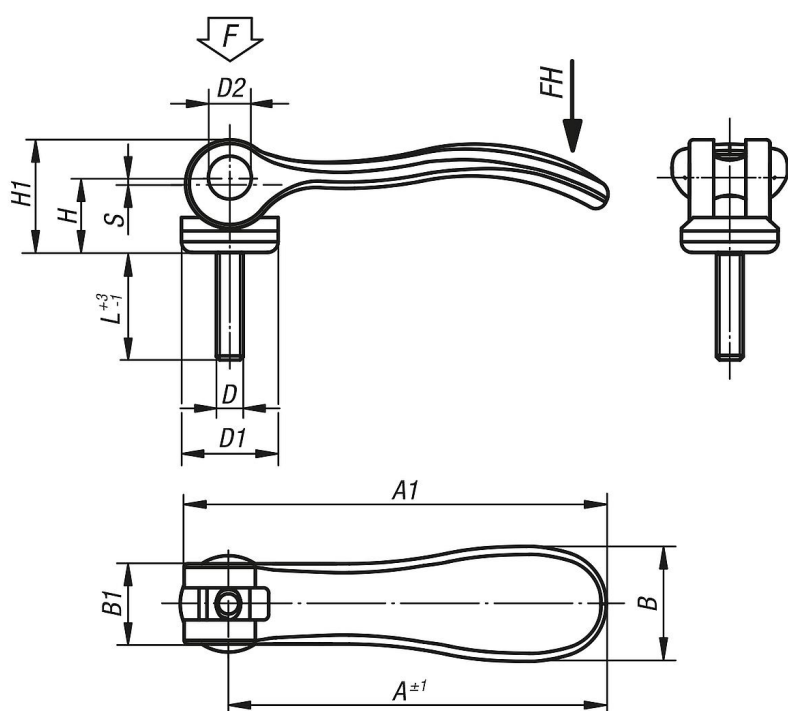
### Version:

Handle, stud and washer trivalent blue-passivated.  
Thrust washer black.  
Hinge pin bright.

### Note:

Plastics are subject to creeping under load (retardation).

## Drawings



## Overview of items

Order No.	Size	D	D1	D2	B	B1	H	H1	A	A1	L	Clamping force F (kN)	Hand force FH N	Travel S
K0788.1502205X20	1	M5	18,1	9	21,5	15	14,5	22	70,4	79,2	20	4	120	1,2
K0788.1502205X30	1	M5	18,1	9	21,5	15	14,5	22	70,4	79,2	30	4	120	1,2
K0788.1502205X40	1	M5	18,1	9	21,5	15	14,5	22	70,4	79,2	40	4	120	1,2
K0788.1502205X50	1	M5	18,1	9	21,5	15	14,5	22	70,4	79,2	50	4	120	1,2
K0788.1502206X20	1	M6	18,1	9	21,5	15	14,5	22	70,4	79,2	20	4	120	1,2
K0788.1502206X30	1	M6	18,1	9	21,5	15	14,5	22	70,4	79,2	30	4	120	1,2
K0788.1502206X40	1	M6	18,1	9	21,5	15	14,5	22	70,4	79,2	40	4	120	1,2
K0788.1502206X50	1	M6	18,1	9	21,5	15	14,5	22	70,4	79,2	50	4	120	1,2
K0788.2502208X25	2	M8	27,1	11	33,2	24	18	28,5	96	108	25	8	350	1,5
K0788.2502208X30	2	M8	27,1	11	33,2	24	18	28,5	96	108	30	8	350	1,5

## Cam levers, steel with external thread, plastic thrust washer and steel stud

### Overview of items

Order No.	Size	D	D1	D2	B	B1	H	H1	A	A1	L	Clamping force F (kN)	Hand force FH N	Travel S
K0788.2502208X40	2	M8	27,1	11	33,2	24	18	28,5	96	108	40	8	350	1,5
K0788.2502208X50	2	M8	27,1	11	33,2	24	18	28,5	96	108	50	8	350	1,5
K0788.2502210X25	2	M10	27,1	11	33,2	24	18	28,5	96	108	25	8	350	1,5
K0788.2502210X30	2	M10	27,1	11	33,2	24	18	28,5	96	108	30	8	350	1,5
K0788.2502210X40	2	M10	27,1	11	33,2	24	18	28,5	96	108	40	8	350	1,5
K0788.2502210X50	2	M10	27,1	11	33,2	24	18	28,5	96	108	50	8	350	1,5