

Tension levers with internal thread

Item description/product images



Description

Material:

Steel parts grade 5.8.
Ball knob black plastic.

Version:

Black oxidised.

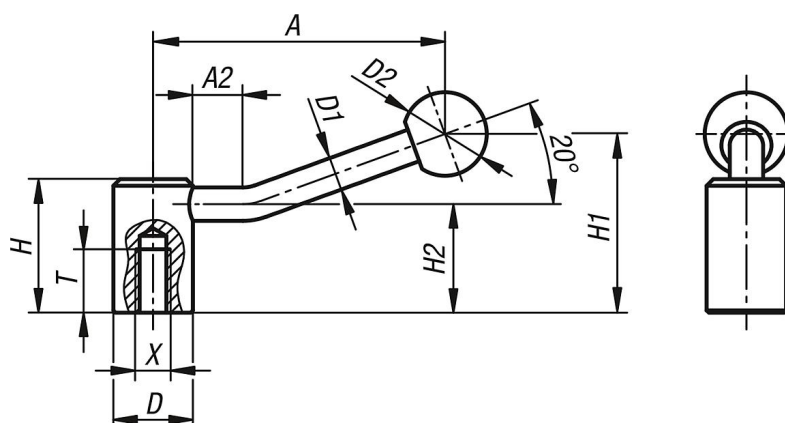
Note:

Tension levers can be used for simple clamping or control operations.
Where applicable, there must be enough space available so that the grip can be rotated 360°.

On request:

Other internal threads, reamed holes and special versions.
Dimension "A" available in other lengths at extra charge.

Drawings



Overview of items

Tension lever

Order No.	Thread type	Size	X	T	D	D1	D2	H	H1	H2	A	A2
K0176.208	internal thread	1	M8	18	24	10	25	40	52,5	32,5	84,5	15
K0176.210	internal thread	1	M10	18	24	10	25	40	52,5	32,5	84,5	15
K0176.2101	internal thread	2	M10	20	28	12	32	46	61	36,5	100	15
K0176.212	internal thread	2	M12	20	28	12	32	46	61	36,5	100	15
K0176.216	internal thread	3	M16	23	33	13	32	52	72	41	121	15
K0176.220	internal thread	4	M20	26	41	13	32	61	80	49	123	15