

# Levers DIN 99, Form L, with hole

## Item description/product images



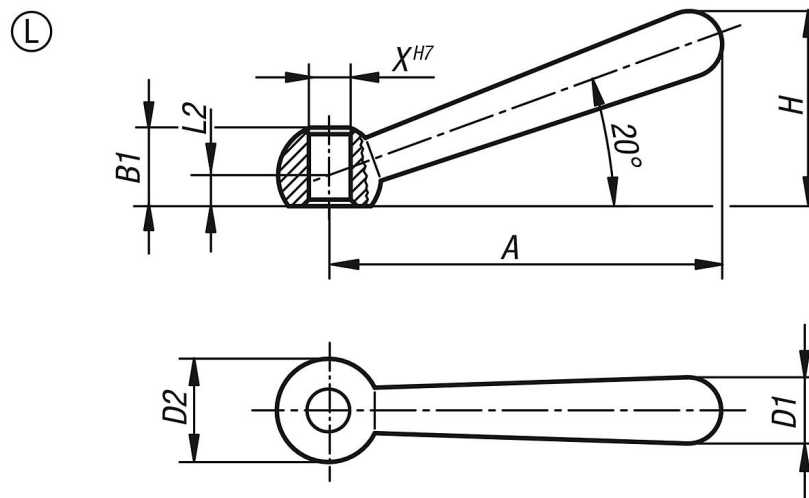
### Description

**Material:**  
Steel.

**Version:**  
Polished.

**Note:**  
To fix the lever to another element, gluing is often more cost-effective than pinning.

## Drawings



## Overview of items

Order No.	Form	X	A=Handle length	B1	D1	D2 ball	H	L2
K0174.106	L	6	48	9,5	8	12	24	4
K0174.108	L	8	60	12	10	16	30,5	5
K0174.110	L	10	76	14,5	13	20	38	6
K0174.112	L	12	95	18,5	16	25	47	7,5
K0174.116	L	16	119	24	20	32	59,5	10
K0174.120	L	20	152	30	25	40	75,5	12,5