

Taper grips with tapped bush, Form E

Item description/product images



Description

Material:

Black thermoset PF 31.

Bush electro zinc-plated steel.

Version:

High-gloss polished.

Note:

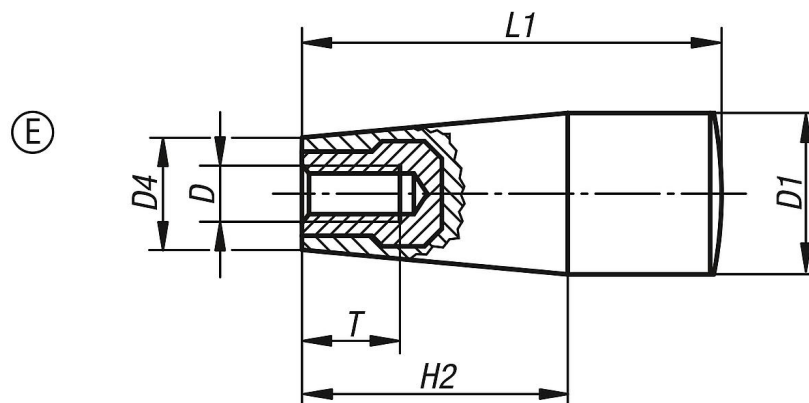
The versions K0172.205 and K0172.206 have a brass bush.

The versions K0172.208 and K0172.2081 have a copper-plated steel bush.

On request:

Other colours.

Drawings



Overview of items

Order No.	Form	D	D1	D4	H2	L1	T
K0172.205	E	M5	17	15	26	45	10
K0172.206	E	M6	17	15	26	45	9
K0172.208	E	M8	23	18	38	61	14
K0172.2081	E	M8	28	21	42	71	14