

Cam levers, plastic with internal thread, plastic thrust washer

Item description/product images



Description

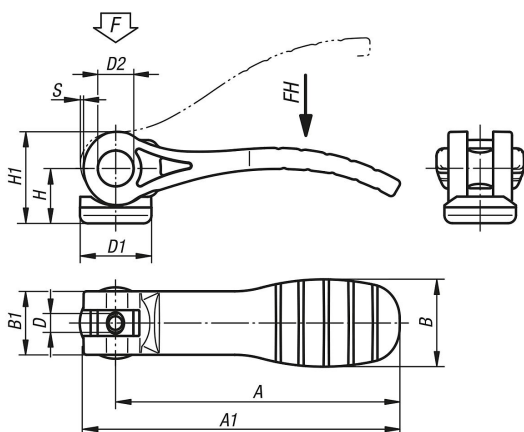
Material:

Grip and thrust washer plastic PA 66 fibreglass reinforced.
Hinge pins stainless steel 1.4305.
Studs and washer steel grade 5.8 or stainless steel 1.4305.

Version:

Grip black or traffic red RAL3020.
Thrust washer black.
Hinge pin bright.
Stud and washer trivalent blue-passivated or bright stainless steel.

Drawings



Overview of items

Order No.	Component material	Main colour	D	D1	D2	B	B1	H	H1	A	A1	Travel S	Clamping force F (kN)	Hand force FH N
K0646.1521105	steel	black	M5	18,1	9	22	16	14	23,4	71,5	79,6	1,15	2,5	125
K0646.1521106	steel	black	M6	18,1	9	22	16	14	23,4	71,5	79,6	1,15	2,5	125
K0646.2521108	steel	black	M8	27,1	11	33	24,2	16,2	27,7	100	110	1,5	5	170
K0646.1531105	stainless steel	black	M5	18,1	9	22	16	14	23,4	71,5	79,6	1,15	2,5	125
K0646.1531106	stainless steel	black	M6	18,1	9	22	16	14	23,4	71,5	79,6	1,15	2,5	125
K0646.2531108	stainless steel	black	M8	27,1	11	33	24,2	16,2	27,7	100	110	1,5	5	170
K0646.15218405	steel	traffic red RAL 3020	M5	18,1	9	22	16	14	23,4	71,5	79,6	1,15	2,5	125
K0646.15218406	steel	traffic red RAL 3020	M6	18,1	9	22	16	14	23,4	71,5	79,6	1,15	2,5	125
K0646.25218408	steel	traffic red RAL 3020	M8	27,1	11	33	24,2	16,2	27,7	100	110	1,5	5	170
K0646.15318405	stainless steel	traffic red RAL 3020	M5	18,1	9	22	16	14	23,4	71,5	79,6	1,15	2,5	125
K0646.15318406	stainless steel	traffic red RAL 3020	M6	18,1	9	22	16	14	23,4	71,5	79,6	1,15	2,5	125
K0646.25318408	stainless steel	traffic red RAL 3020	M8	27,1	11	33	24,2	16,2	27,7	100	110	1,5	5	170