

Handwheels 2-spoke, aluminium, flat rim, without grip

Item description/product images



Description

Material:

Spoked handwheels aluminium.

Version:

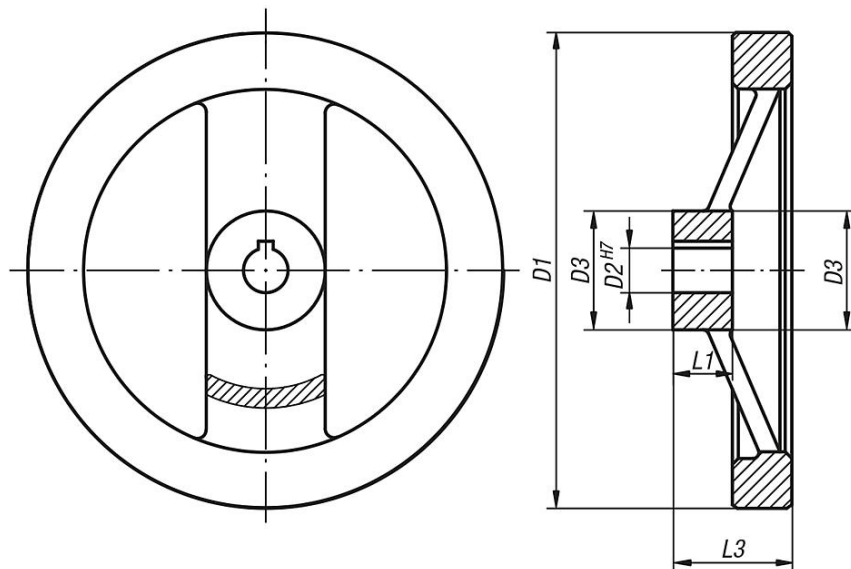
Wheel rim turned and polished.

On request:

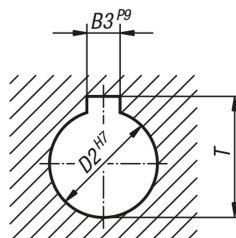
Hubs with square socket or powder-coated handwheels.

Drawings

without cylindrical grip



DIN 6885-1



Overview of items

| Order No. | Version 1 | D1 | D2 | D3 | L1 | L3 | B3 | T |
|---------------|-------------|-----|------|----|----|----|----|---|
| K0162.0080X10 | reamed hole | 80 | 10H7 | 24 | 16 | 28 | - | - |
| K0162.0080X12 | reamed hole | 80 | 12H7 | 24 | 16 | 28 | - | - |
| K0162.0100X10 | reamed hole | 100 | 10H7 | 26 | 17 | 33 | - | - |
| K0162.0100X12 | reamed hole | 100 | 12H7 | 26 | 17 | 33 | - | - |

Handwheels 2-spoke, aluminium, flat rim, without grip

Overview of items

| Order No. | Version 1 | D1 | D2 | D3 | L1 | L3 | B3 | T |
|---------------|-----------------------|-----|------|----|----|------|----|------|
| K0162.0125X12 | reamed hole | 125 | 12H7 | 31 | 18 | 33,5 | - | - |
| K0162.0125X14 | reamed hole | 125 | 14H7 | 31 | 18 | 33,5 | - | - |
| K0162.0160X14 | reamed hole | 160 | 14H7 | 40 | 20 | 39 | - | - |
| K0162.0160X16 | reamed hole | 160 | 16H7 | 40 | 20 | 39 | - | - |
| K0162.0200X18 | reamed hole | 200 | 18H7 | 42 | 24 | 45 | - | - |
| K0162.0200X20 | reamed hole | 200 | 20H7 | 42 | 24 | 45 | - | - |
| K0162.0250X22 | reamed hole | 250 | 22H7 | 48 | 28 | 51 | - | - |
| K0162.0250X26 | reamed hole | 250 | 26H7 | 48 | 28 | 51 | - | - |
| K0162.1080X10 | reamed hole with slot | 80 | 10H7 | 24 | 16 | 28 | 3 | 11,4 |
| K0162.1080X12 | reamed hole with slot | 80 | 12H7 | 24 | 16 | 28 | 4 | 13,8 |
| K0162.1100X10 | reamed hole with slot | 100 | 10H7 | 26 | 17 | 33 | 3 | 11,4 |
| K0162.1100X12 | reamed hole with slot | 100 | 12H7 | 26 | 17 | 33 | 4 | 13,8 |
| K0162.1125X12 | reamed hole with slot | 125 | 12H7 | 31 | 18 | 33,5 | 4 | 13,8 |
| K0162.1125X14 | reamed hole with slot | 125 | 14H7 | 31 | 18 | 33,5 | 5 | 16,3 |
| K0162.1160X14 | reamed hole with slot | 160 | 14H7 | 40 | 20 | 39 | 5 | 16,3 |
| K0162.1160X16 | reamed hole with slot | 160 | 16H7 | 40 | 20 | 39 | 5 | 18,3 |
| K0162.1200X18 | reamed hole with slot | 200 | 18H7 | 42 | 24 | 45 | 6 | 20,8 |
| K0162.1200X20 | reamed hole with slot | 200 | 20H7 | 42 | 24 | 45 | 6 | 22,8 |
| K0162.1250X22 | reamed hole with slot | 250 | 22H7 | 48 | 28 | 51 | 6 | 24,8 |
| K0162.1250X26 | reamed hole with slot | 250 | 26H7 | 48 | 28 | 51 | 8 | 29,3 |