

# Handwheels DIN 950 grey cast iron

## Item description/product images



### Description

#### Material:

Handwheel, grey cast iron.

Grip steel.

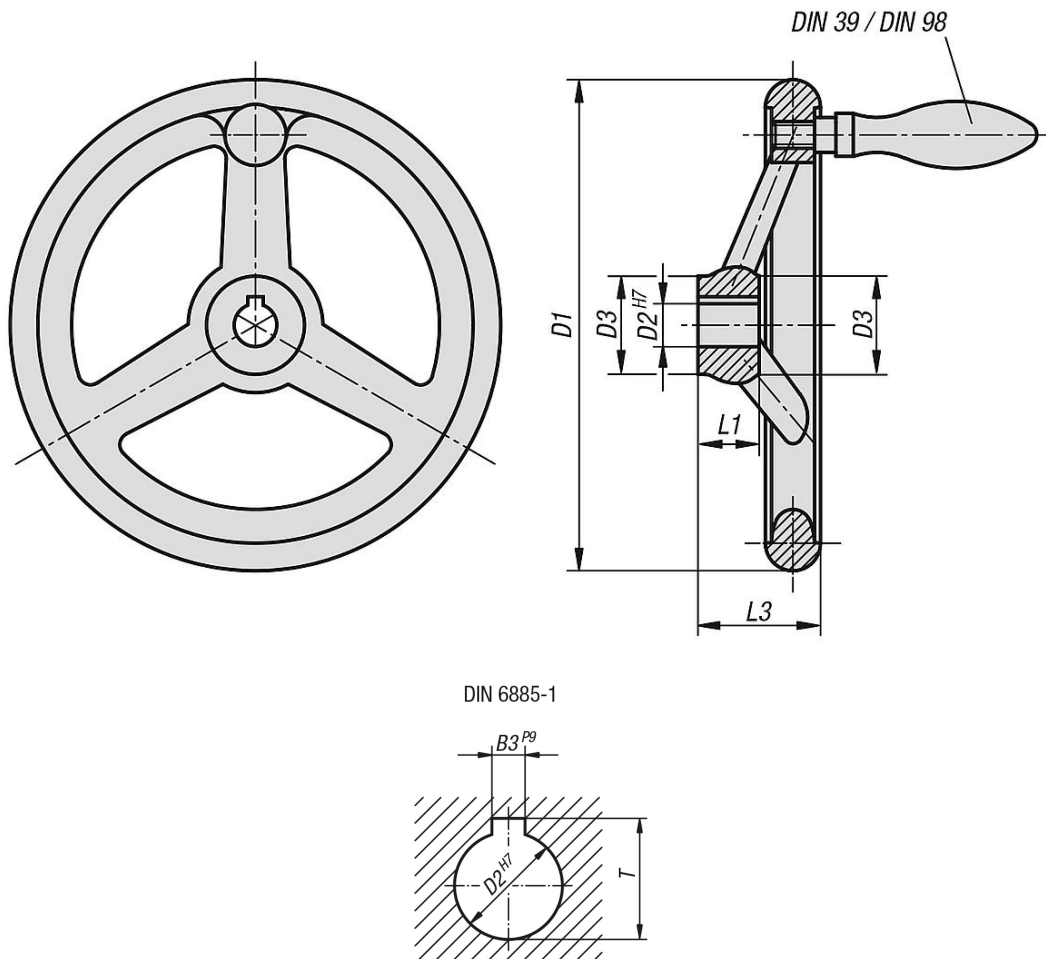
#### Version:

Wheel rim turned and polished.

#### On request:

Hubs with square socket or powder-coated handwheels.

## Drawings



## Overview of items

### Handwheels DIN 950 grey cast iron

Order No.	Version 1	D1	D2	D3	L1	L3	Number of spokes	fixed machine handle DIN 39 Form E	revolving grip DIN 98 Form E
K0671.0080X10	reamed hole	80	10H7	25	16	29	3	-	-
K0671.0080X12	reamed hole	80	12H7	25	16	29	3	-	-
K0671.0100X10	reamed hole	100	10H7	26	17	33	3	-	-

# Handwheels DIN 950 grey cast iron

## Overview of items

Order No.	Version 1	D1	D2	D3	L1	L3	Number of spokes	fixed machine handle DIN 39 Form E	revolving grip DIN 98 Form E
K0671.0100X12	reamed hole	100	12H7	26	17	33	3	-	-
K0671.0125X12	reamed hole	125	12H7	33	18	36	3	-	-
K0671.0125X14	reamed hole	125	14H7	33	18	36	3	-	-
K0671.0140X14	reamed hole	140	14H7	33	19	39	3	-	-
K0671.0140X16	reamed hole	140	16H7	33	19	39	3	-	-
K0671.0160X14	reamed hole	160	14H7	37	20	40	3	-	-
K0671.0160X16	reamed hole	160	16H7	37	20	40	3	-	-
K0671.0180X16	reamed hole	180	16H7	36	22	43	3	-	-
K0671.0180X18	reamed hole	180	18H7	36	22	43	3	-	-
K0671.0200X18	reamed hole	200	18H7	38	24	45	3	-	-
K0671.0200X22	reamed hole	200	22H7	38	24	45	3	-	-
K0671.0250X22	reamed hole	250	22H7	46	28	50	5	-	-
K0671.0250X26	reamed hole	250	26H7	46	28	50	5	-	-
K0671.0315X26	reamed hole	315	26H7	54	33	56	5	-	-
K0671.0315X30	reamed hole	315	30H7	54	33	56	5	-	-
K0671.0400X30	reamed hole	400	30H7	68	38	63	5	-	-
K0671.0400X34	reamed hole	400	34H7	68	38	63	5	-	-
K0671.0500X34	reamed hole	500	34H7	79	45	72	5	-	-
K0671.0500X40	reamed hole	500	40H7	79	45	72	5	-	-
K0671.1080X10	reamed hole with slot	80	10H7	25	16	29	3	-	-
K0671.1080X12	reamed hole with slot	80	12H7	25	16	29	3	-	-
K0671.1100X10	reamed hole with slot	100	10H7	26	17	33	3	-	-
K0671.1100X12	reamed hole with slot	100	12H7	26	17	33	3	-	-
K0671.1125X12	reamed hole with slot	125	12H7	33	18	36	3	-	-
K0671.1125X14	reamed hole with slot	125	14H7	33	18	36	3	-	-
K0671.1140X14	reamed hole with slot	140	14H7	33	19	39	3	-	-
K0671.1140X16	reamed hole with slot	140	16H7	33	19	39	3	-	-
K0671.1160X14	reamed hole with slot	160	14H7	37	20	40	3	-	-
K0671.1160X16	reamed hole with slot	160	16H7	37	20	40	3	-	-
K0671.1180X16	reamed hole with slot	180	16H7	36	22	43	3	-	-
K0671.1180X18	reamed hole with slot	180	18H7	36	22	43	3	-	-
K0671.1200X18	reamed hole with slot	200	18H7	38	24	45	3	-	-
K0671.1200X22	reamed hole with slot	200	22H7	38	24	45	3	-	-
K0671.1250X22	reamed hole with slot	250	22H7	46	28	50	5	-	-
K0671.1250X26	reamed hole with slot	250	26H7	46	28	50	5	-	-
K0671.1315X26	reamed hole with slot	315	26H7	54	33	56	5	-	-
K0671.1315X30	reamed hole with slot	315	30H7	54	33	56	5	-	-
K0671.1400X30	reamed hole with slot	400	30H7	68	38	63	5	-	-
K0671.1400X34	reamed hole with slot	400	34H7	68	38	63	5	-	-
K0671.1500X34	reamed hole with slot	500	34H7	79	45	72	5	-	-
K0671.1500X40	reamed hole with slot	500	40H7	79	45	72	5	-	-
K0671.2080X10	reamed hole	80	10H7	25	16	29	3	ø16 x M6 x 50	-
K0671.2080X12	reamed hole	80	12H7	25	16	29	3	ø16 x M6 x 50	-
K0671.2100X10	reamed hole	100	10H7	26	17	33	3	ø16 x M6 x 50	-
K0671.2100X12	reamed hole	100	12H7	26	17	33	3	ø16 x M6 x 50	-
K0671.2125X12	reamed hole	125	12H7	33	18	36	3	ø20 x M8 x 64	-
K0671.2125X14	reamed hole	125	14H7	33	18	36	3	ø20 x M8 x 64	-
K0671.2140X14	reamed hole	140	14H7	33	19	39	3	ø20 x M8 x 64	-
K0671.2140X16	reamed hole	140	16H7	33	19	39	3	ø20 x M8 x 64	-
K0671.2160X14	reamed hole	160	14H7	37	20	40	3	ø25 x M10 x 80	-
K0671.2160X16	reamed hole	160	16H7	37	20	40	3	ø25 x M10 x 80	-
K0671.2180X16	reamed hole	180	16H7	36	22	43	3	ø25 x M10 x 80	-
K0671.2180X18	reamed hole	180	18H7	36	22	43	3	ø25 x M10 x 80	-
K0671.2200X18	reamed hole	200	18H7	38	24	45	3	ø25 x M10 x 80	-
K0671.2200X22	reamed hole	200	22H7	38	24	45	3	ø25 x M10 x 80	-
K0671.2250X22	reamed hole	250	22H7	46	28	50	5	ø32 x M12 x 100	-
K0671.2250X26	reamed hole	250	26H7	46	28	50	5	ø32 x M12 x 100	-
K0671.2315X26	reamed hole	315	26H7	54	33	56	5	ø32 x M12 x 100	-
K0671.2315X30	reamed hole	315	30H7	54	33	56	5	ø32 x M12 x 100	-
K0671.2400X30	reamed hole	400	30H7	68	38	63	5	ø36 x M16 x 112	-
K0671.2400X34	reamed hole	400	34H7	68	38	63	5	ø36 x M16 x 112	-
K0671.2500X34	reamed hole	500	34H7	79	45	72	5	ø36 x M16 x 112	-

# Handwheels DIN 950 grey cast iron

## Overview of items

Order No.	Version 1	D1	D2	D3	L1	L3	Number of spokes	fixed machine handle DIN 39 Form E	revolving grip DIN 98 Form E
K0671.2500X40	reamed hole	500	40H7	79	45	72	5	ø36 x M16 x 112	-
K0671.3080X10	reamed hole with slot	80	10H7	25	16	29	3	ø16 x M6 x 50	-
K0671.3080X12	reamed hole with slot	80	12H7	25	16	29	3	ø16 x M6 x 50	-
K0671.3100X10	reamed hole with slot	100	10H7	26	17	33	3	ø16 x M6 x 50	-
K0671.3100X12	reamed hole with slot	100	12H7	26	17	33	3	ø16 x M6 x 50	-
K0671.3125X12	reamed hole with slot	125	12H7	33	18	36	3	ø20 x M8 x 64	-
K0671.3125X14	reamed hole with slot	125	14H7	33	18	36	3	ø20 x M8 x 64	-
K0671.3140X14	reamed hole with slot	140	14H7	33	19	39	3	ø20 x M8 x 64	-
K0671.3140X16	reamed hole with slot	140	16H7	33	19	39	3	ø20 x M8 x 64	-
K0671.3160X14	reamed hole with slot	160	14H7	37	20	40	3	ø25 x M10 x 80	-
K0671.3160X16	reamed hole with slot	160	16H7	37	20	40	3	ø25 x M10 x 80	-
K0671.3180X16	reamed hole with slot	180	16H7	36	22	43	3	ø25 x M10 x 80	-
K0671.3180X18	reamed hole with slot	180	18H7	36	22	43	3	ø25 x M10 x 80	-
K0671.3200X18	reamed hole with slot	200	18H7	38	24	45	3	ø25 x M10 x 80	-
K0671.3200X22	reamed hole with slot	200	22H7	38	24	45	3	ø25 x M10 x 80	-
K0671.3250X22	reamed hole with slot	250	22H7	46	28	50	5	ø32 x M12 x 100	-
K0671.3250X26	reamed hole with slot	250	26H7	46	28	50	5	ø32 x M12 x 100	-
K0671.3315X26	reamed hole with slot	315	26H7	54	33	56	5	ø32 x M12 x 100	-
K0671.3315X30	reamed hole with slot	315	30H7	54	33	56	5	ø32 x M12 x 100	-
K0671.3400X30	reamed hole with slot	400	30H7	68	38	63	5	ø36 x M16 x 112	-
K0671.3400X34	reamed hole with slot	400	34H7	68	38	63	5	ø36 x M16 x 112	-
K0671.3500X34	reamed hole with slot	500	34H7	79	45	72	5	ø36 x M16 x 112	-
K0671.3500X40	reamed hole with slot	500	40H7	79	45	72	5	ø36 x M16 x 112	-
K0671.4080X10	reamed hole	80	10H7	25	16	29	3	-	ø16 x M6 x 54,5
K0671.4080X12	reamed hole	80	12H7	25	16	29	3	-	ø16 x M6 x 54,5
K0671.4100X10	reamed hole	100	10H7	26	17	33	3	-	ø16 x M6 x 54,5
K0671.4100X12	reamed hole	100	12H7	26	17	33	3	-	ø16 x M6 x 54,5
K0671.4125X12	reamed hole	125	12H7	33	18	36	3	-	ø20 x M8 x 67
K0671.4125X14	reamed hole	125	14H7	33	18	36	3	-	ø20 x M8 x 67
K0671.4140X14	reamed hole	140	14H7	33	19	39	3	-	ø20 x M8 x 67
K0671.4140X16	reamed hole	140	16H7	33	19	39	3	-	ø20 x M8 x 67
K0671.4160X14	reamed hole	160	14H7	37	20	40	3	-	ø25 x M10 x 83
K0671.4160X16	reamed hole	160	16H7	37	20	40	3	-	ø25 x M10 x 83
K0671.4180X16	reamed hole	180	16H7	36	22	43	3	-	ø25 x M10 x 83
K0671.4180X18	reamed hole	180	18H7	36	22	43	3	-	ø25 x M10 x 83
K0671.4200X18	reamed hole	200	18H7	38	24	45	3	-	ø25 x M10 x 83
K0671.4200X22	reamed hole	200	22H7	38	24	45	3	-	ø25 x M10 x 83
K0671.4250X22	reamed hole	250	22H7	46	28	50	5	-	ø32 x M12 x 105,5
K0671.4250X26	reamed hole	250	26H7	46	28	50	5	-	ø32 x M12 x 105,5
K0671.4315X26	reamed hole	315	26H7	54	33	56	5	-	ø32 x M12 x 105,5
K0671.4315X30	reamed hole	315	30H7	54	33	56	5	-	ø32 x M12 x 105,5
K0671.4400X30	reamed hole	400	30H7	68	38	63	5	-	ø36 x M16 x 117
K0671.4400X34	reamed hole	400	34H7	68	38	63	5	-	ø36 x M16 x 117
K0671.4500X34	reamed hole	500	34H7	79	45	72	5	-	ø36 x M16 x 117
K0671.4500X40	reamed hole	500	40H7	79	45	72	5	-	ø36 x M16 x 117
K0671.5080X10	reamed hole with slot	80	10H7	25	16	29	3	-	ø16 x M6 x 54,5
K0671.5080X12	reamed hole with slot	80	12H7	25	16	29	3	-	ø16 x M6 x 54,5
K0671.5100X10	reamed hole with slot	100	10H7	26	17	33	3	-	ø16 x M6 x 54,5
K0671.5100X12	reamed hole with slot	100	12H7	26	17	33	3	-	ø16 x M6 x 54,5
K0671.5125X12	reamed hole with slot	125	12H7	33	18	36	3	-	ø20 x M8 x 67
K0671.5125X14	reamed hole with slot	125	14H7	33	18	36	3	-	ø20 x M8 x 67
K0671.5140X14	reamed hole with slot	140	14H7	33	19	39	3	-	ø20 x M8 x 67
K0671.5140X16	reamed hole with slot	140	16H7	33	19	39	3	-	ø20 x M8 x 67
K0671.5160X14	reamed hole with slot	160	14H7	37	20	40	3	-	ø25 x M10 x 83
K0671.5160X16	reamed hole with slot	160	16H7	37	20	40	3	-	ø25 x M10 x 83
K0671.5180X16	reamed hole with slot	180	16H7	36	22	43	3	-	ø25 x M10 x 83
K0671.5180X18	reamed hole with slot	180	18H7	36	22	43	3	-	ø25 x M10 x 83
K0671.5200X18	reamed hole with slot	200	18H7	38	24	45	3	-	ø25 x M10 x 83
K0671.5200X22	reamed hole with slot	200	22H7	38	24	45	3	-	ø25 x M10 x 83
K0671.5250X22	reamed hole with slot	250	22H7	46	28	50	5	-	ø32 x M12 x 105,5
K0671.5250X26	reamed hole with slot	250	26H7	46	28	50	5	-	ø32 x M12 x 105,5
K0671.5315X26	reamed hole with slot	315	26H7	54	33	56	5	-	ø32 x M12 x 105,5

## Handwheels DIN 950 grey cast iron

### Overview of items

Order No.	Version 1	D1	D2	D3	L1	L3	Number of spokes	fixed machine handle DIN 39 Form E	revolving grip DIN 98 Form E
<b>K0671.5315X30</b>	reamed hole with slot	315	30H7	54	33	56	5	-	ø32 x M12 x 105,5
<b>K0671.5400X30</b>	reamed hole with slot	400	30H7	68	38	63	5	-	ø36 x M16 x 117
<b>K0671.5400X34</b>	reamed hole with slot	400	34H7	68	38	63	5	-	ø36 x M16 x 117
<b>K0671.5500X34</b>	reamed hole with slot	500	34H7	79	45	72	5	-	ø36 x M16 x 117
<b>K0671.5500X40</b>	reamed hole with slot	500	40H7	79	45	72	5	-	ø36 x M16 x 117