

# Star grips similar to DIN 6336, aluminium, Form E, blind tapped hole

## Item description/product images

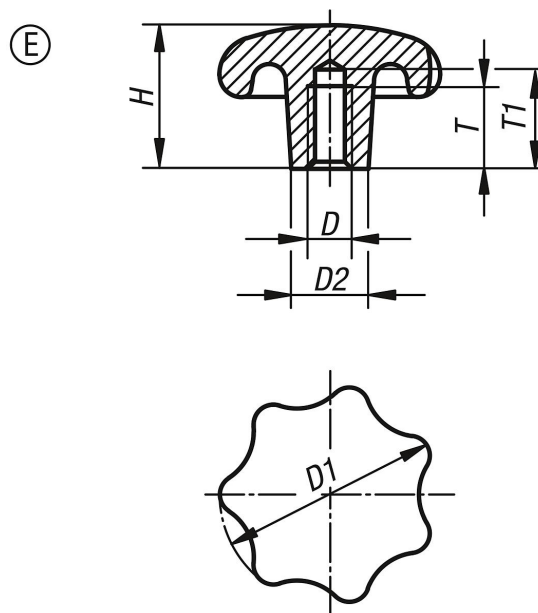


## Description

**Material:**  
Aluminium.

**Version:**  
Tumbled or ground and polished.

## Drawings



## Overview of items

Order No.	Form	Surface finish body	D	D1	D2	H	T	T1
K0149.540082	E	polished	M8	40	14	25	15	18
K0149.550102	E	polished	M10	50	18	32	18	21
K0149.563122	E	polished	M12	63	20	40	22	25
K0149.580162	E	polished	M16	80	25	50	28	32
K0149.54008	E	tumbled	M8	40	14	25	15	18
K0149.55010	E	tumbled	M10	50	18	32	18	21
K0149.56312	E	tumbled	M12	63	20	40	22	25
K0149.58016	E	tumbled	M16	80	25	50	28	32