

Palm grips similar to DIN 6335, stainless steel, Form D, thread countersunk

Item description/product images



Description

Material:

Stainless steel 1.4308.

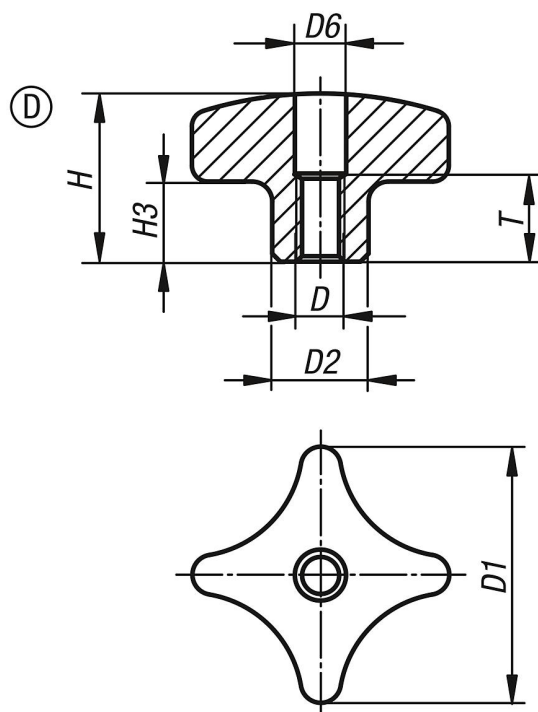
Version:

Ground and polished or blasted.

On request:

With external thread.

Drawings



Overview of items

Order No.	Form	Surface finish body	D	D1	D2	D6	H	H3	T
K0146.4032062	D	polished	M6	32	12	6,4	21	10	11
K0146.4040082	D	polished	M8	40	14	8,4	26	14	14
K0146.4050102	D	polished	M10	50	18	10,5	34	20	18
K0146.4063122	D	polished	M12	63	20	13	42	25	22
K0146.4032063	D	blasted	M6	32	12	6,4	21	10	11
K0146.4040083	D	blasted	M8	40	14	8,4	26	14	14
K0146.4050103	D	blasted	M10	50	18	10,5	34	20	18
K0146.4063123	D	blasted	M12	63	20	13	42	25	22

**Palm grips similar to DIN 6335, stainless steel, Form D, thread
countersunk**

Overview of items
