

# Palm grips stainless steel, similar to DIN 6335

## Item description/product images



## Description

### Material:

Stainless steel 1.4308.

Grub screw stainless steel 1.4305.

Pin stainless steel 1.4310.

### Version:

Ground and polished or blasted.

Grub screw and pin bright.

### Drawing reference:

Form B: drilled through

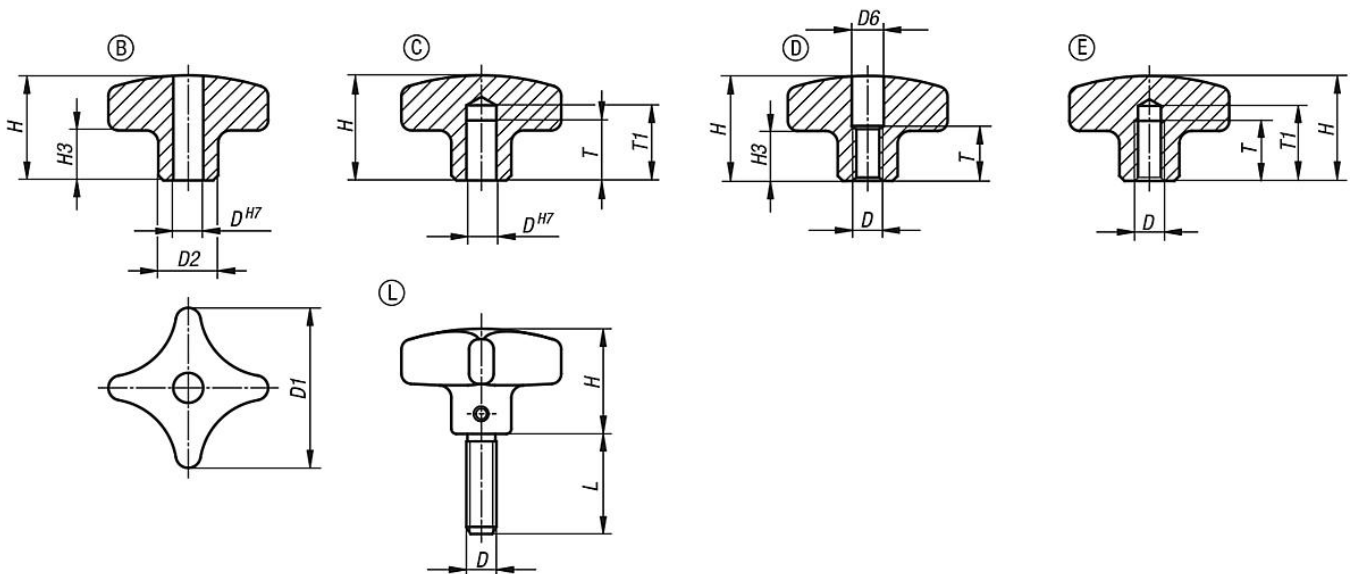
Form C: blind hole

Form D: tapped and counterbored

Form E: tapped blind hole

Form L: external thread

## Drawings



## Overview of items

### Palm grips stainless steel, similar to DIN 6335

Order No.	Form	Surface finish body	D	D1	D2	D6	H	H3	L	T	T1
K0146.2032062	B	polished	6	32	12	-	21	10	-	-	-
K0146.2040082	B	polished	8	40	14	-	26	14	-	-	-
K0146.2050102	B	polished	10	50	18	-	34	20	-	-	-
K0146.2063122	B	polished	12	63	20	-	42	25	-	-	-
K0146.2032063	B	blasted	6	32	12	-	21	10	-	-	-
K0146.2040083	B	blasted	8	40	14	-	26	14	-	-	-
K0146.2050103	B	blasted	10	50	18	-	34	20	-	-	-
K0146.2063123	B	blasted	12	63	20	-	42	25	-	-	-
K0146.3032062	C	polished	6	32	12	-	21	10	-	12	15
K0146.3040082	C	polished	8	40	14	-	26	14	-	15	18
K0146.3050102	C	polished	10	50	18	-	34	20	-	18	21

## Palm grips stainless steel, similar to DIN 6335

### Overview of items

Order No.	Form	Surface finish body	D	D1	D2	D6	H	H3	L	T	T1
K0146.3063122	C	polished	12	63	20	-	42	25	-	22	25
K0146.3032063	C	blasted	6	32	12	-	21	10	-	12	15
K0146.3040083	C	blasted	8	40	14	-	26	14	-	15	18
K0146.3050103	C	blasted	10	50	18	-	34	20	-	18	21
K0146.3063123	C	blasted	12	63	20	-	42	25	-	22	25
K0146.4032062	D	polished	M6	32	12	6,4	21	10	-	11	-
K0146.4040082	D	polished	M8	40	14	8,4	26	14	-	14	-
K0146.4050102	D	polished	M10	50	18	10,5	34	20	-	18	-
K0146.4063122	D	polished	M12	63	20	13	42	25	-	22	-
K0146.4032063	D	blasted	M6	32	12	6,4	21	10	-	11	-
K0146.4040083	D	blasted	M8	40	14	8,4	26	14	-	14	-
K0146.4050103	D	blasted	M10	50	18	10,5	34	20	-	18	-
K0146.4063123	D	blasted	M12	63	20	13	42	25	-	22	-
K0146.5032062	E	polished	M6	32	12	-	21	10	-	12	15
K0146.5040082	E	polished	M8	40	14	-	26	14	-	15	18
K0146.5050102	E	polished	M10	50	18	-	34	20	-	18	21
K0146.5063122	E	polished	M12	63	20	-	42	25	-	22	25
K0146.5032063	E	blasted	M6	32	12	-	21	10	-	12	15
K0146.5040083	E	blasted	M8	40	14	-	26	14	-	15	18
K0146.5050103	E	blasted	M10	50	18	-	34	20	-	18	21
K0146.5063123	E	blasted	M12	63	20	-	42	25	-	22	25
K0146.6032063X15	L	blasted	M6	32	12	-	21	10	15	-	-
K0146.6032063X20	L	blasted	M6	32	12	-	21	10	20	-	-
K0146.6032063X25	L	blasted	M6	32	12	-	21	10	25	-	-
K0146.6032063X30	L	blasted	M6	32	12	-	21	10	30	-	-
K0146.6032063X40	L	blasted	M6	32	12	-	21	10	40	-	-
K0146.6032063X50	L	blasted	M6	32	12	-	21	10	50	-	-
K0146.6040083X20	L	blasted	M8	40	14	-	26	14	20	-	-
K0146.6040083X25	L	blasted	M8	40	14	-	26	14	25	-	-
K0146.6040083X30	L	blasted	M8	40	14	-	26	14	30	-	-
K0146.6040083X40	L	blasted	M8	40	14	-	26	14	40	-	-
K0146.6040083X50	L	blasted	M8	40	14	-	26	14	50	-	-
K0146.6050103X20	L	blasted	M10	50	18	-	34	20	20	-	-
K0146.6050103X25	L	blasted	M10	50	18	-	34	20	25	-	-
K0146.6050103X30	L	blasted	M10	50	18	-	34	20	30	-	-
K0146.6050103X40	L	blasted	M10	50	18	-	34	20	40	-	-
K0146.6050103X50	L	blasted	M10	50	18	-	34	20	50	-	-
K0146.6063123X20	L	blasted	M12	63	20	-	42	25	20	-	-
K0146.6063123X30	L	blasted	M12	63	20	-	42	25	30	-	-
K0146.6063123X40	L	blasted	M12	63	20	-	42	25	40	-	-
K0146.6063123X50	L	blasted	M12	63	20	-	42	25	50	-	-

Order No.	Form	Surface finish body	D	D1	D2	H	H3	L
K0146.6032063X	L	blasted	M6	32	12	21	10	15
K0146.6032063X	L	blasted	M6	32	12	21	10	20
K0146.6032063X	L	blasted	M6	32	12	21	10	25
K0146.6032063X	L	blasted	M6	32	12	21	10	30
K0146.6032063X	L	blasted	M6	32	12	21	10	40
K0146.6032063X	L	blasted	M6	32	12	21	10	50
K0146.6040083X	L	blasted	M8	40	14	26	14	20
K0146.6040083X	L	blasted	M8	40	14	26	14	25
K0146.6040083X	L	blasted	M8	40	14	26	14	30
K0146.6040083X	L	blasted	M8	40	14	26	14	40
K0146.6040083X	L	blasted	M8	40	14	26	14	50
K0146.6050103X	L	blasted	M10	50	18	34	20	20
K0146.6050103X	L	blasted	M10	50	18	34	20	25
K0146.6050103X	L	blasted	M10	50	18	34	20	30
K0146.6050103X	L	blasted	M10	50	18	34	20	40
K0146.6050103X	L	blasted	M10	50	18	34	20	50

## Palm grips stainless steel, similar to DIN 6335

### Overview of items

Order No.	Form	Surface finish body	D	D1	D2	H	H3	L
K0146.6063123X	L	blasted	M12	63	20	42	25	20
K0146.6063123X	L	blasted	M12	63	20	42	25	30
K0146.6063123X	L	blasted	M12	63	20	42	25	40
K0146.6063123X	L	blasted	M12	63	20	42	25	50