

## Self-aligning pads, adjustable, with O-ring and exchangeable inserts, hexagon socket, Form O, stainless steel insert with diamond

Impregnated face



### Description

#### Material:

Body carbon steel.

Ball rust and acid resistant steel.

Insert:

Form O stainless steel.

#### Version:

Body tempered, black oxidised.

Ball hardened, bright.

Insert:

Form O diamond surface comparable to 100 grade abrasive grit.

#### Note:

Self-aligning pads are used to support and clamp unmachined and machined workpieces.

They also serve as stops, supports and thrust pads in fixtures and toolmaking.

The ball can be removed from the housing by applying light pressure to the socket head screw.

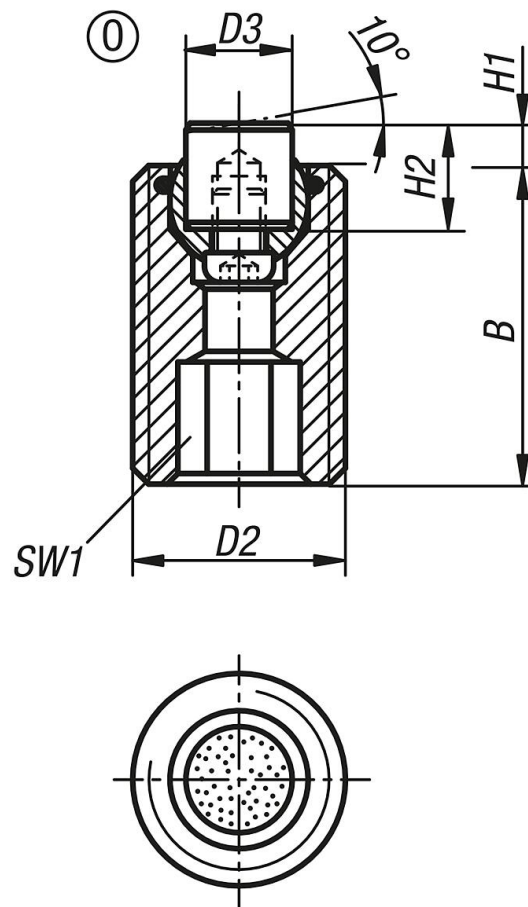
Ball secured against rotation.

#### Advantages:

Highly cost-effective as inserts can be exchanged.

The built-in O-ring holds the ball in place and keeps dirt and foreign particles out, ensuring uniform movement.

**Self-aligning pads, adjustable, with O-ring and exchangeable inserts, hexagon socket, Form 0, stainless steel insert with diamond impregnated face**



**Overview of items**

Order No.	Form	B	D2	D3	H1	H2	SW1	Ball-Ø	Load rating max. kN (static load only)	Order No. stainless steel insert, diamond surface
K0291.520X030	0	30	M20	10	4	10	10	13	37	K0385.10105
K0291.520X050	0	50	M20	10	4	10	10	13	37	K0385.10105
K0291.520X070	0	70	M20	10	4	10	10	13	37	K0385.10105
K0291.524X040	0	40	M24	12	4	10	10	15	55	K0385.12105
K0291.524X080	0	80	M24	12	4	10	10	15	55	K0385.12105