

Toggle clamps latch vertical with catch plate

Item description/product images



Description

Material:

Steel or stainless steel.

Version:

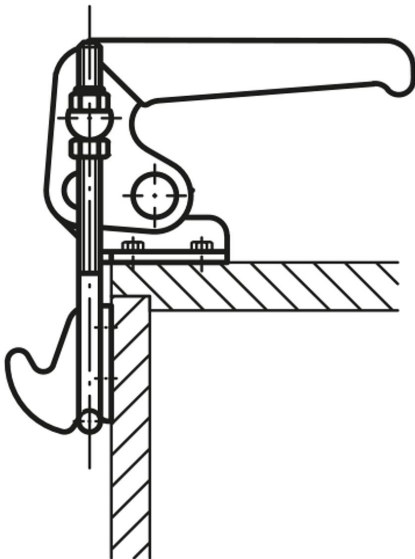
Trivalent passivated.
Stainless steel bright.
Plastic grip oil-resistant.

Note:

Vertical latch toggle clamps are especially suitable for quickly closing and locking covers and hatches.
The travel can be set by altering the hasp length.

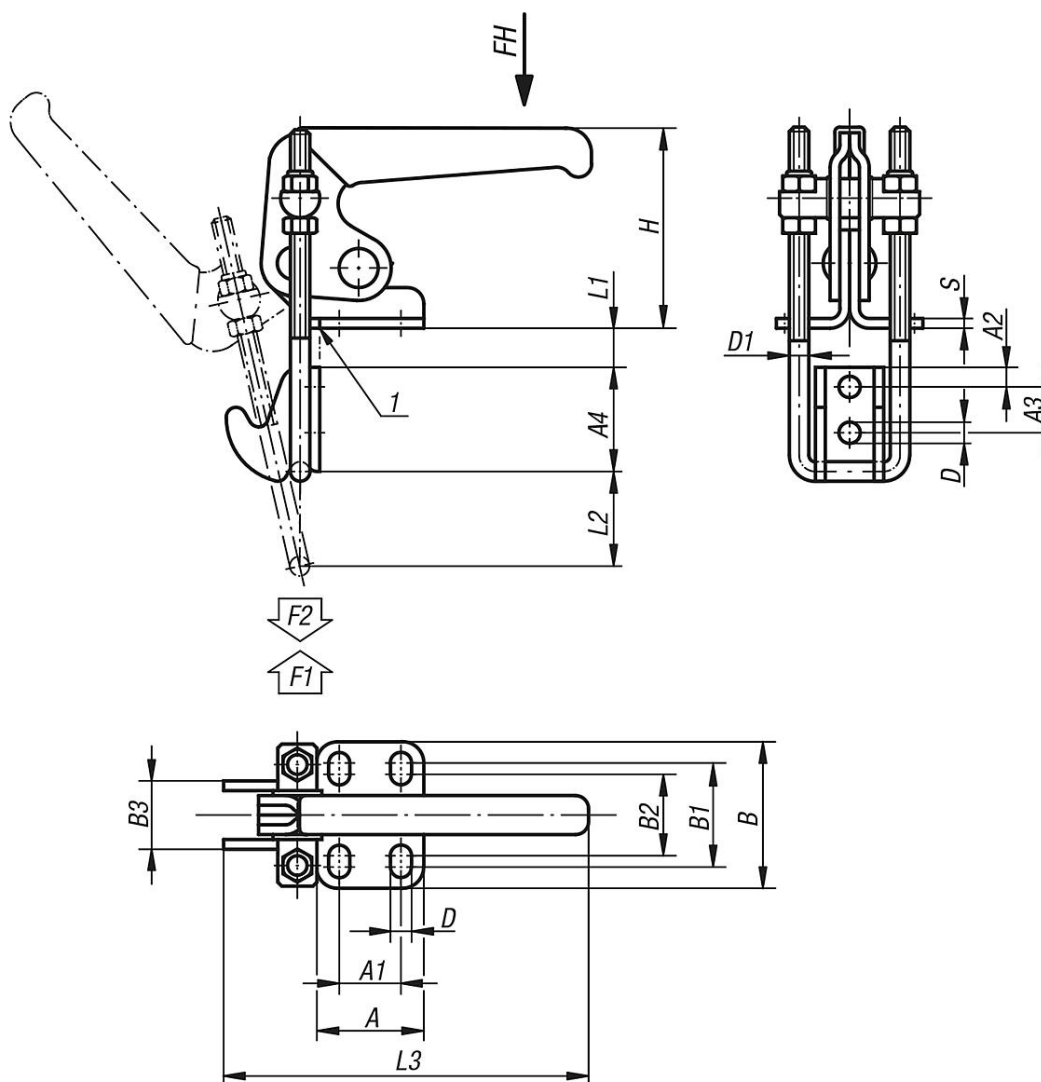
Drawing reference:

1) edge and latch bracket mounted flush



Toggle clamps latch vertical with catch plate

Drawings



Overview of items

Toggle clamps latch vertical with catch plate

Order No.	Main material	Opening angle of handle	Hand force FH N	Retaining force F2 N	Traction force F1 N	Travel path L1 min.	Travel path L1 max.	Clamping travel L2
K0082.0140	steel	145°	100	2000	1800	1	25	22
K0082.0250	steel	145°	150	4000	2700	1	28	34
K0082.0450	steel	145°	200	7000	4500	1	40	45
K0082.0140N	stainless steel	145°	100	2000	1800	1	25	22
K0082.0250N	stainless steel	145°	150	4000	2700	1	28	34
K0082.0450N	stainless steel	145°	200	7000	4500	1	40	45

Order No.	Main material	A	A1	A2	A3	A4	B	B1	B2	B3	D	D1	L3	H	S
K0082.0140	steel	26	13	4,5	11	24	36	24	19	16	5,2	4	76	42	2,5
K0082.0250	steel	35	19	6	14	32	48	33	26	21	6,5	6	115	64	3
K0082.0450	steel	51	32	8	19	40	64	45	36	28	8,5	8	152	85	4
K0082.0140N	stainless steel	26	13	4,5	11	24	36	24	19	16	5,2	4	76	42	2,5
K0082.0250N	stainless steel	35	19	6	14	32	48	33	26	21	6,5	6	115	64	3
K0082.0450N	stainless steel	51	32	8	19	40	64	45	36	28	8,5	8	152	85	4

