

Toggle clamps hook horizontal with catch plate

Item description/product images



Description

Material:

Steel or stainless steel.

Version:

Trivalent passivated.

Stainless steel bright.

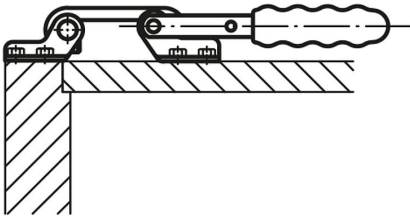
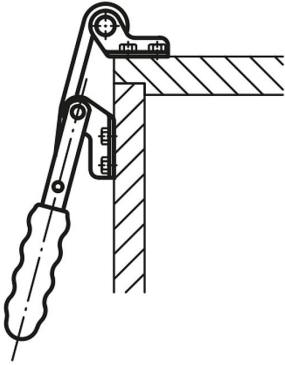
Plastic grip oil-resistant.

Note:

Horizontal hook toggle clamps are especially suitable for quickly closing and locking covers and hatches.

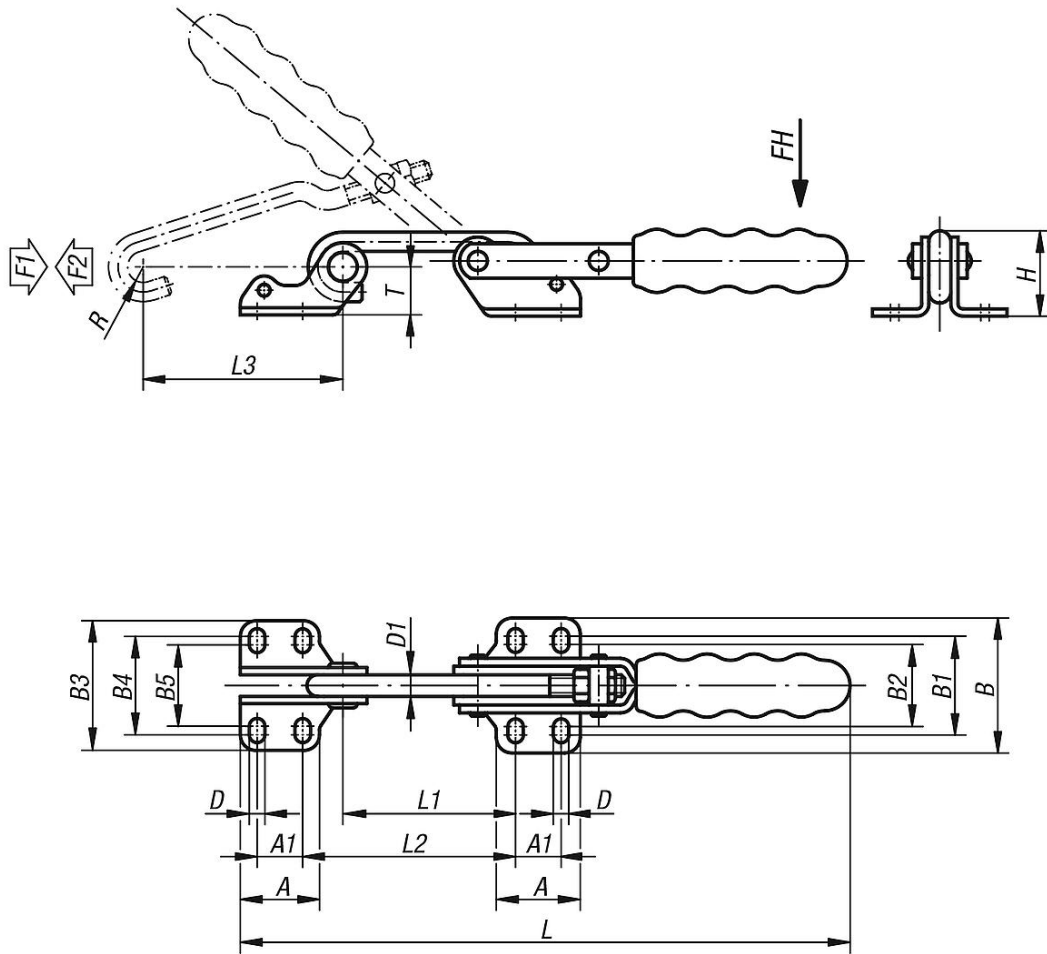
The amount of travel can be set by altering the hook length.

Adjustment length: 0 - 5 mm.



Toggle clamps hook horizontal with catch plate

Drawings



Overview of items

Toggle clamps hook horizontal with catch plate

Order No.	Main material	Opening angle of handle	Hand force FH N	Traction force F1 N	Retaining force F2 N	Matching plastic grip
K0079.0130	steel	155°	100	1500	2000	K0100.19
K0079.0270	steel	155°	160	3000	4000	K0100.28
K0079.0430	steel	155°	200	4000	7000	K0100.34
K0079.0130N	stainless steel	155°	100	1500	2000	K0100.19
K0079.0270N	stainless steel	155°	160	3000	4000	K0100.28
K0079.0430N	stainless steel	155°	200	4000	7000	K0100.34

Order No.	Main material	A	A1	B	B1	B2	B3	B4	B5	D	D1	H	L	L1	L2	Clamping travel L3	R	T
K0079.0130	steel	26	13	39	27	22,2	43	31	26	5,2	6	26	171	45	58	70	6	13,5
K0079.0270	steel	35	19	52	36	29	57	41	34	6,5	8	35	248	68	84	90	7	20
K0079.0430	steel	51	32	72	52,5	43,5	78	59	50	8,5	12	49	310	84	104	115	10	27
K0079.0130N	stainless steel	26	13	39	27	22,2	43	31	26	5,2	6	26	171	45	58	70	6	13,5
K0079.0270N	stainless steel	35	19	52	36	29	57	41	34	6,5	8	35	248	68	84	90	7	20
K0079.0430N	stainless steel	51	32	72	52,5	43,5	78	59	50	8,5	12	49	310	84	104	115	10	27

