

# Spring plungers with hexagon socket and ball, long version, standard spring force

Item description/product images



## Description

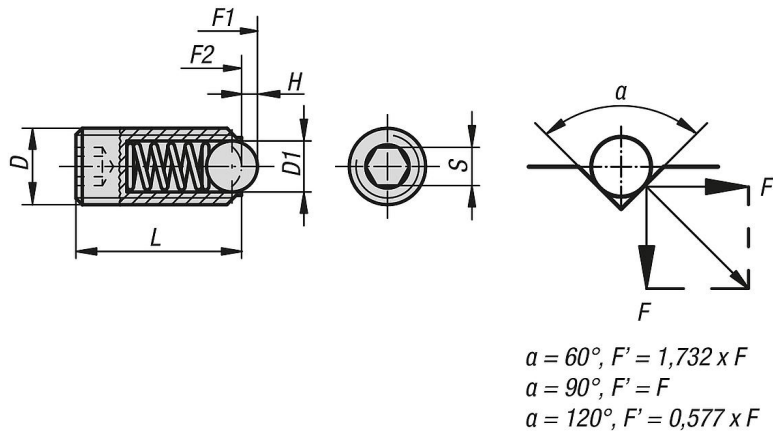
### Material:

Sleeve 1.4305.  
Ball 1.4034.  
Spring 1.4310.

### Version:

Bright. Ball hardened.

## Drawings



## Overview of items

### Spring plungers with hexagon socket and ball, long version, standard spring

Order No.	D	D1	H	L	S	Spring force initial pressure F1 approx. N	Spring force final pressure F2 approx. N
K0316.404	M4	2,5	0,8	16	2	4	10
K0316.405	M5	3	0,9	20	2,5	6	11
K0316.406	M6	3,5	1	25	3	9	13
K0316.408	M8	5	1,5	30	4	15	30
K0316.410	M10	6	2	35	5	20	35
K0316.412	M12	8	2,5	40	6	30	55
K0316.416	M16	10	3,5	45	8	65	125

**Spring plungers with hexagon socket and ball, long version, standard spring force**

