

Latches adjustable, with swing bail, Form A

Item description/product images



Description

Material:

Steel or stainless steel 1.4301.

Version:

Steel trivalent blue passivated.

Stainless steel bright.

Note:

Adjustable latches are secure locking systems for industrial applications. By exceeding the dead center they resist vibration. To compensate for tolerances the latch has a swing mounted bail.

After the bail is engaged with the catch plate, the parts to be locked can be drawn together by up to 15 mm by pushing the lever down. To compensate for tolerances or to create enough tension the bail length can be adjusted by the M6 threaded spindle.

The latches can be screwed down or riveted. We recommend using countersunk screws for fastening the components.

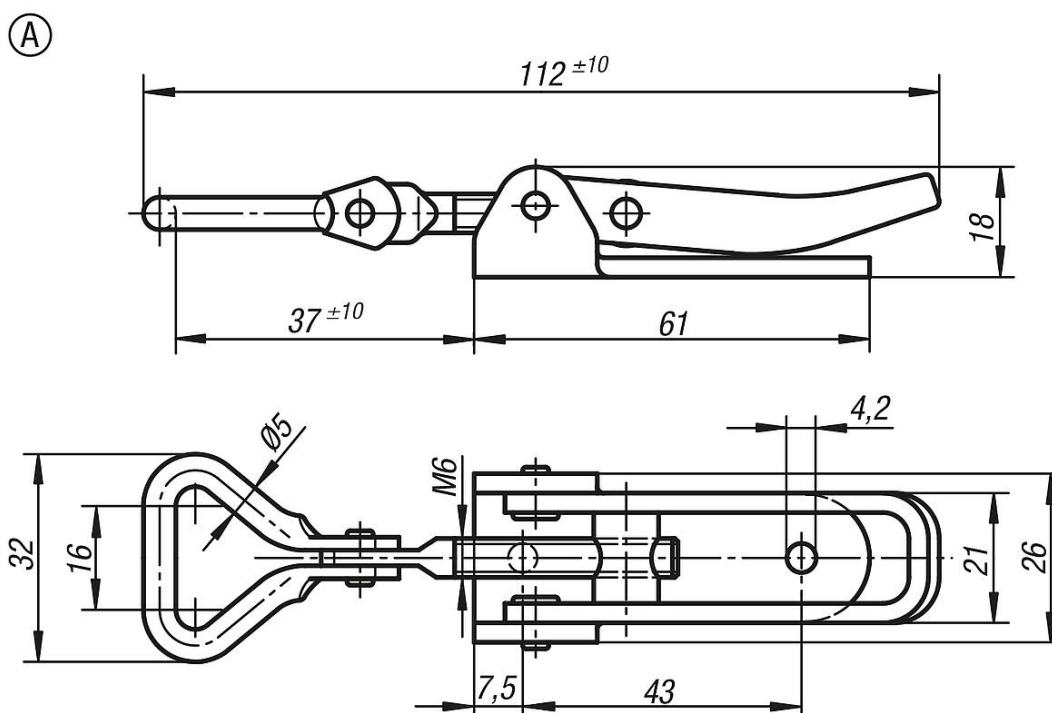
Order catch plates separately.

The retaining force F1 applies to the latch, not the catch plate.

On request:

Available with safety catch to prevent springing open.

Drawings



Latches adjustable, with swing bail, Form A

Overview of items

Latches adjustable, with swing bail

Order No.	Main material	Form	Retaining force F1 N
K0050.1421121	steel	A	1000
K0050.1421122	stainless steel	A	1000