

## Catch plates, Form A

### Item description/product images



### Description

**Material:**

Steel or stainless steel 1.4301.

**Version:**

Steel trivalent blue passivated.

Stainless steel bright.

**Note:**

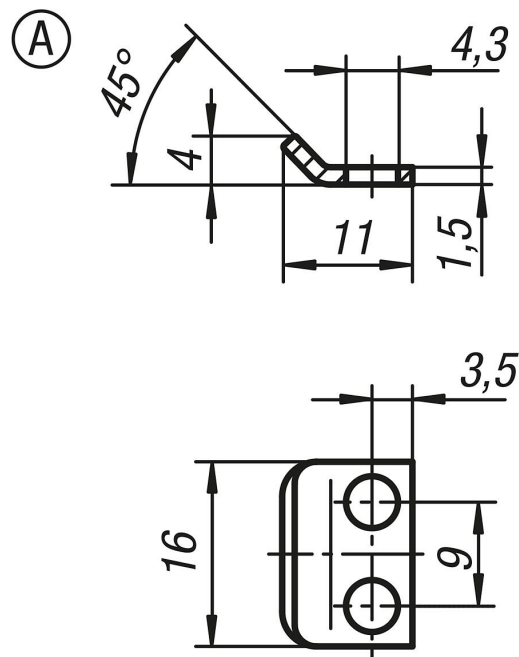
Latches with spring clips for safe holding and locking of hatches, container lids, machine cladding etc. By exceeding the dead centre they resist vibration. The locking force is applied by tensioning a spring clip.

The latches can be screwed down or riveted.

Order catch plates separately.

The retaining force F1 applies to the latch, not the catch plate.

### Drawings



### Overview of items

Order No.	Main material	Form
K0043.9143111	steel	A
K0043.9143112	stainless steel	A

