

Jaw plates machinable

Item description/product images

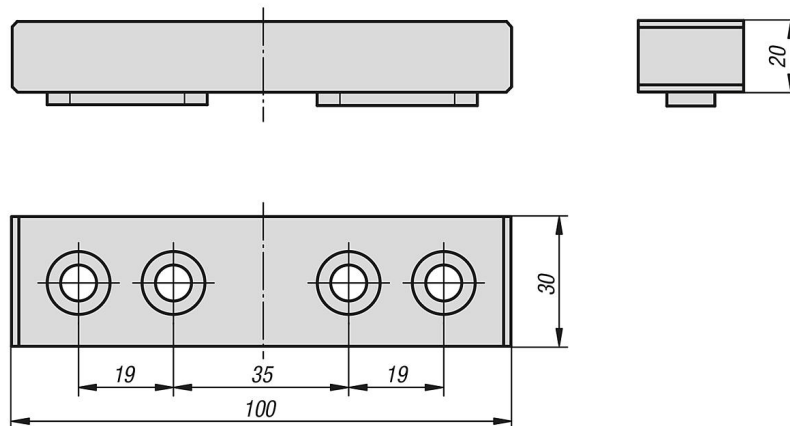


Description

Material:
Steel 1.0503.

Version:
Bright.

Drawings



Overview of items

Jaw plates, machinable

Order No.	Suitable for
K0944.210020	All 3-axis and 5-axis clamping systems