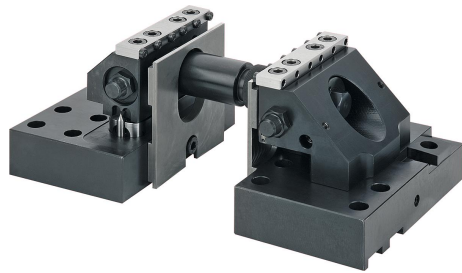


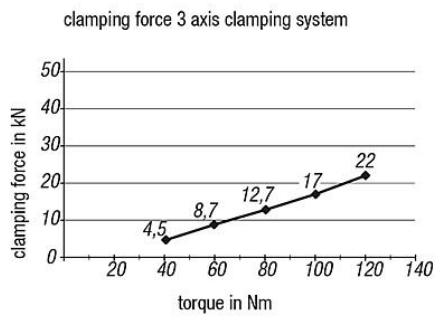
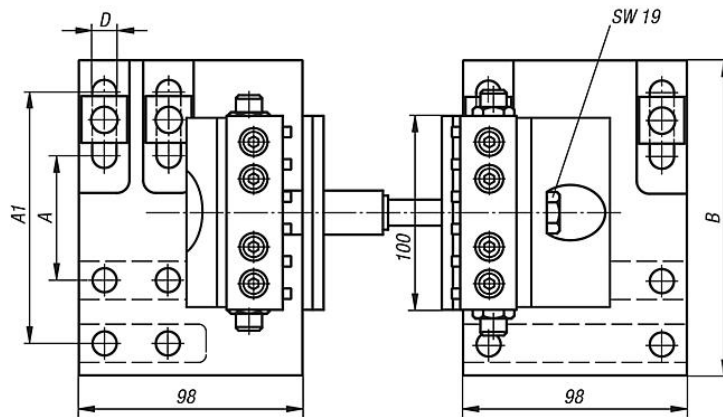
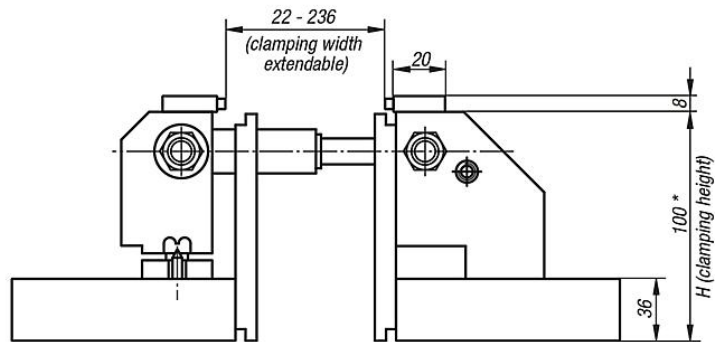
# 3-axis clamping system for T-slots

Item description/product images



## Description

Drawings



## 3-axis clamping system for T-slots

### Overview of items

---

#### 3 Axis clamping system for T-slots

Order No.	Suitable for	A	A1	B	D	H	Clamping force max. kN	weight kg
K0940.063100	slot spacing 63 - 126	63	126	158	12,5	100 *	22	14,8