

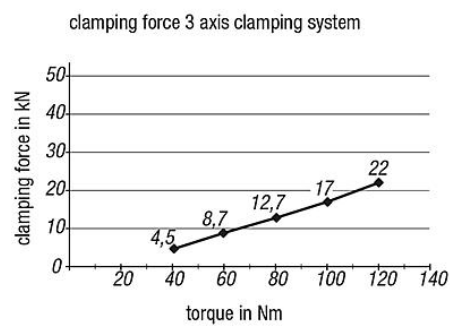
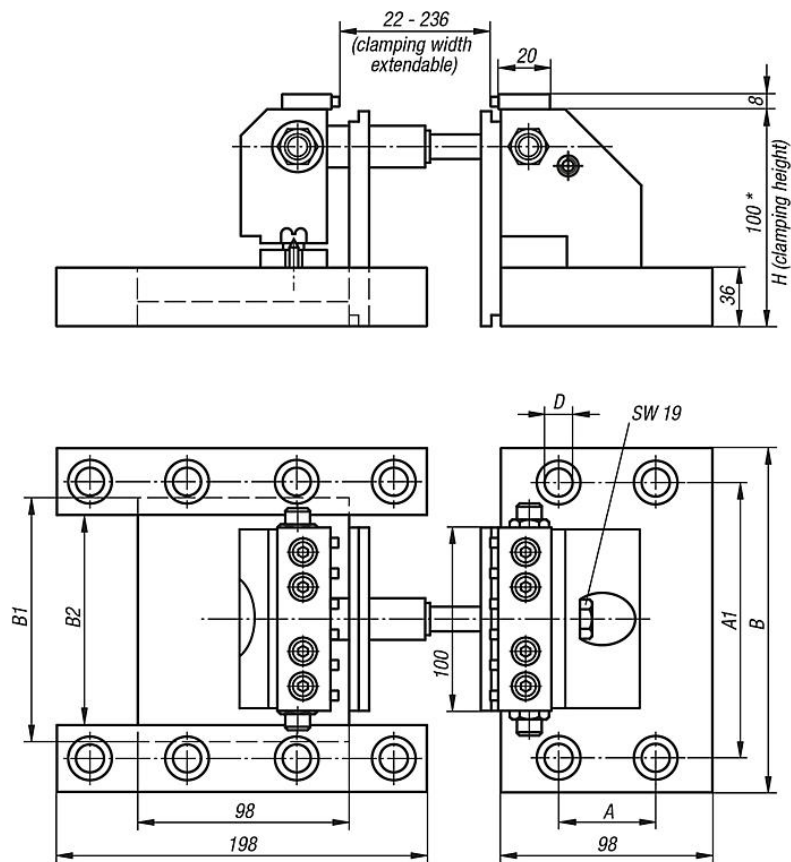
3-axis clamping system for grid plates

Item description/product images



Description

Drawings



3-axis clamping system for grid plates

Overview of items

3 Axis clamping system for grid plates

Order No.	Grid spacing	A	A1	B	B1	B2	D	H	Clamping force max. kN	weight kg
K0939.4012100	40x40 (M12)	40	160	190	148	124	12	100 *	22	18,88
K0939.5012100	50x50 (M12)	50	150	190	138	114	12	100 *	22	19,445
K0939.5016100	50x50 (M16)	50	150	190	134	110	16	100 *	22	18,74