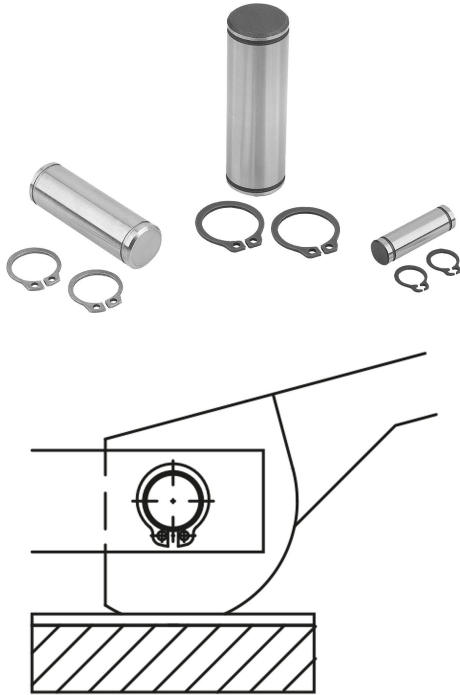


Hinge pins steel or stainless steel

Item description/product images



Description

Material:

Steel or stainless steel.

Version:

Steel version:

tempered to 1000 - 1200 N/mm², black oxidised.

Stainless steel version:

tempered to 900 - 1050 N/mm², bright.

Note for ordering:

2 matching DIN 471 circlips are supplied.

Note:

For use with:

Cam levers K0008 and K0009.

Eye bolts K0396 and K1418.

Clevis K0397.

Advantages:

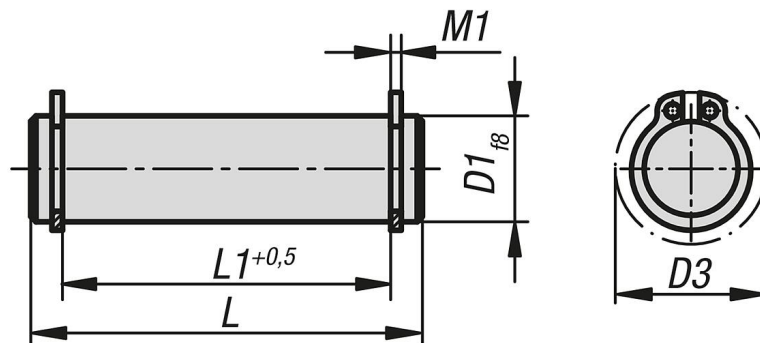
Ground OD.

High dimensional accuracy.

Suitable for use as spare part.

Matching circlips included.

Drawings



Overview of items

Hinge pins steel or stainless steel

Order No.	Main material	D1	L	L1	M1	D3
K0007.05	steel	5	18	13	0,7	10,7
K0007.06	steel	6	22	17	0,8	12,2
K0007.081	steel	8	20	16	0,9	15,2
K0007.082	steel	8	27	21	0,9	15,2
K0007.08	steel	8	30	25	0,9	15,2
K0007.101	steel	10	25	20	1,1	17,6
K0007.102	steel	10	35	29	1,1	17,6
K0007.10	steel	10	37	32	1,1	17,6

Hinge pins steel or stainless steel

Overview of items

Order No.	Main material	D1	L	L1	M1	D3
K0007.121	steel	12	31	25	1,1	19,6
K0007.122	steel	12	37	31	1,1	19,6
K0007.12	steel	12	46	40	1,1	19,6
K0007.14	steel	14	44	37	1,1	22
K0007.16	steel	16	48	41	1,1	24,4
K0007.18	steel	18	58	51	1,3	26,8
K0007.105	stainless steel	5	18	13	0,7	10,7
K0007.106	stainless steel	6	22	17	0,8	12,2
K0007.108	stainless steel	8	20	16	0,9	15,2
K0007.1081	stainless steel	8	27	21	0,9	15,2
K0007.1082	stainless steel	8	30	25	0,9	15,2
K0007.110	stainless steel	10	25	20	1,1	17,6
K0007.1101	stainless steel	10	35	29	1,1	17,6
K0007.1102	stainless steel	10	37	32	1,1	17,6
K0007.112	stainless steel	12	31	25	1,1	19,6
K0007.1121	stainless steel	12	37	31	1,1	19,6
K0007.1122	stainless steel	12	46	40	1,1	19,6
K0007.114	stainless steel	14	44	37	1,1	22
K0007.116	stainless steel	16	48	41	1,1	24,4
K0007.118	stainless steel	18	58	51	1,3	26,8