

## Rounded insert

### Item description/product images

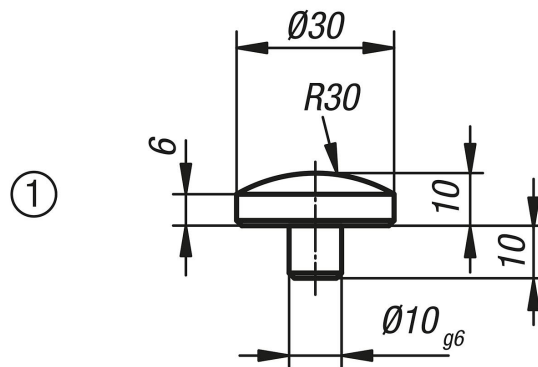


### Description

**Material:**  
Carbon steel.

**Version:**  
Tempered to 1100-1200 N/mm<sup>2</sup>, black oxidised.

### Drawings



### Overview of items

Order No.	Version
K0826.01	Rounded insert